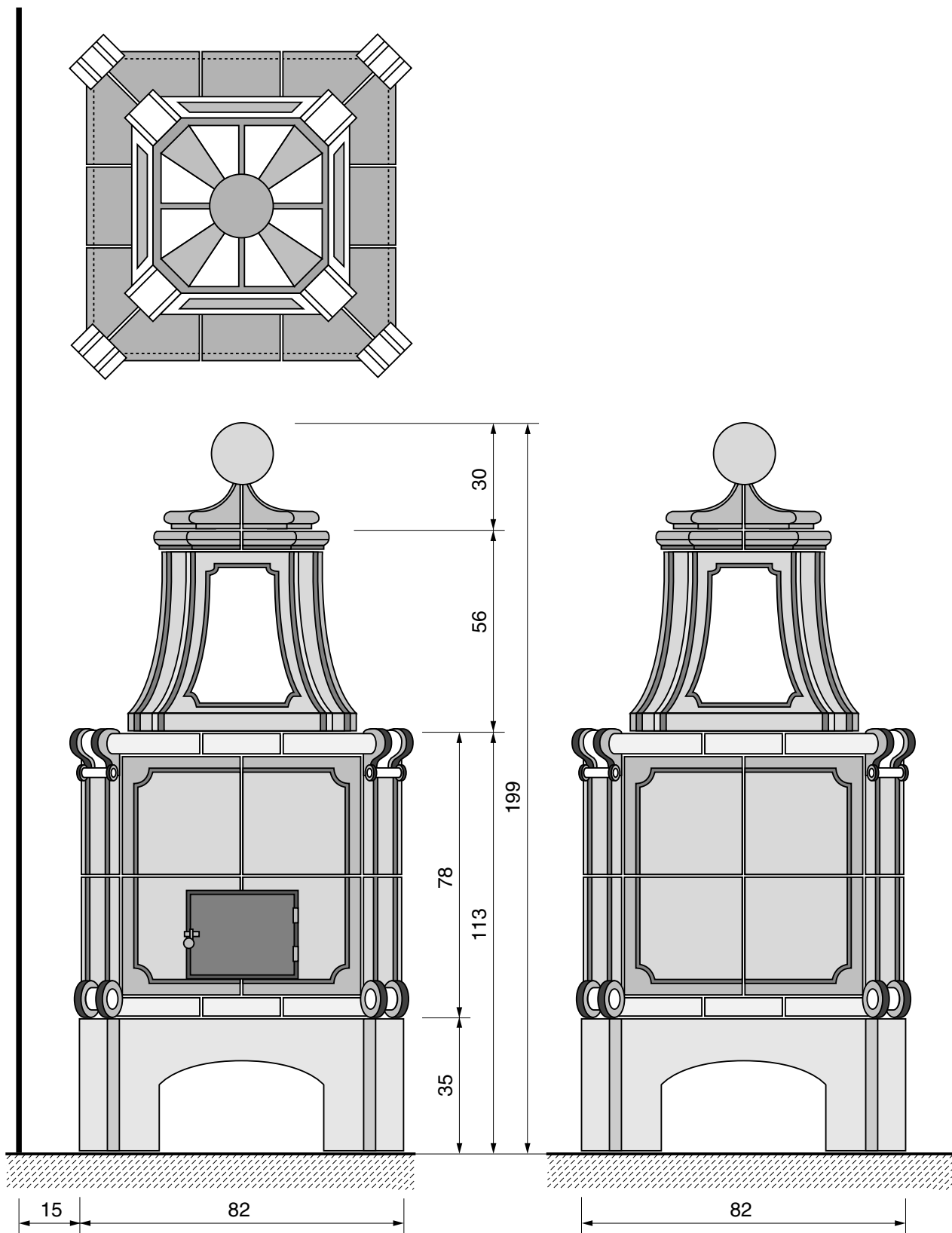
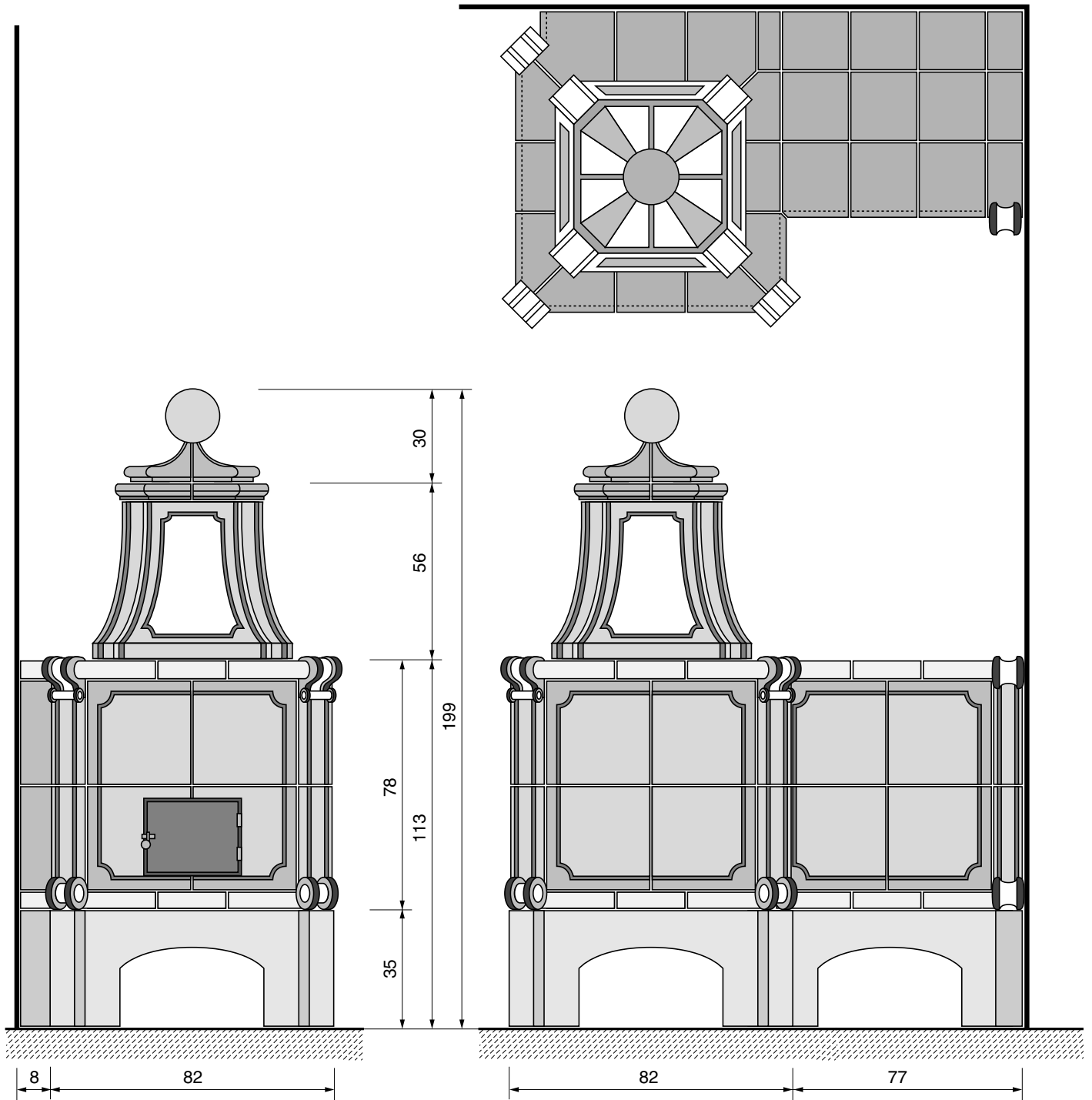


Historical Replicas

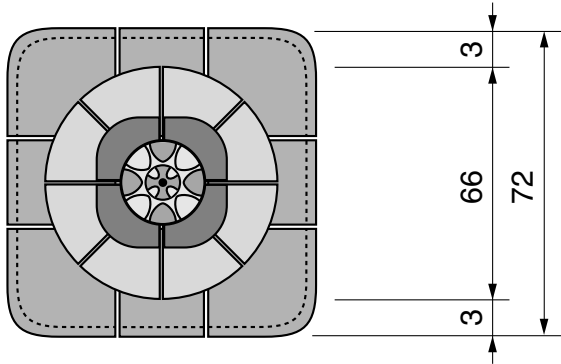
Baroque (basic variant)



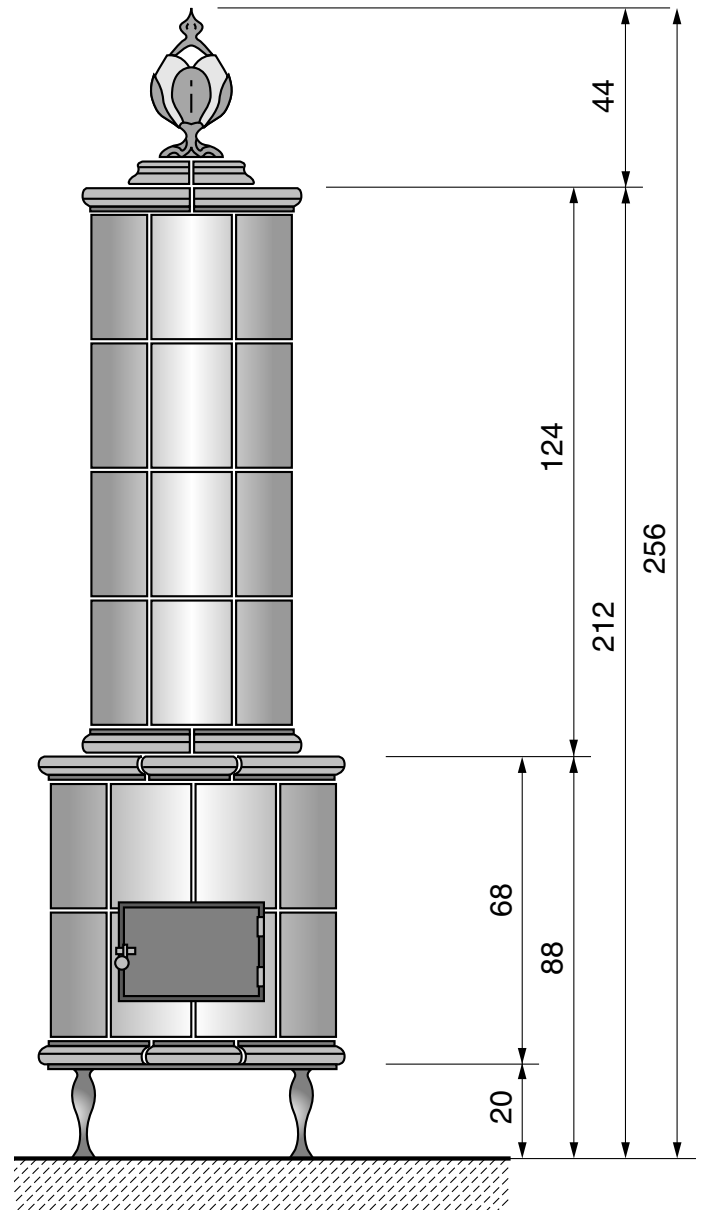
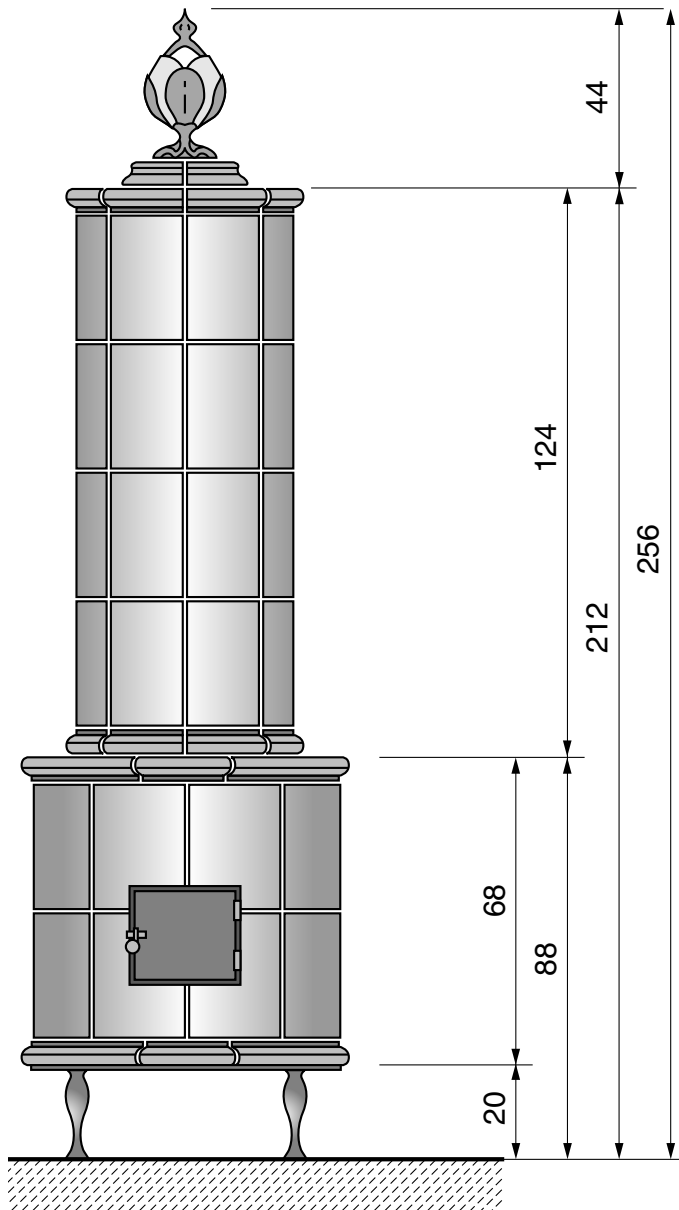
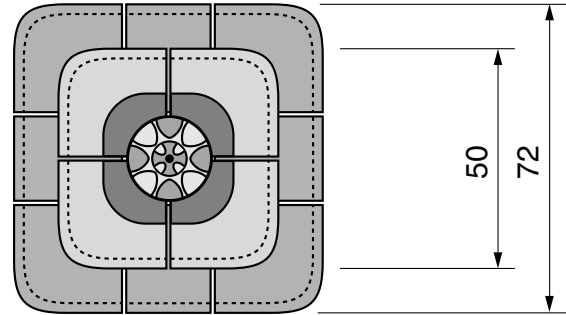
Baroque (against the wall)



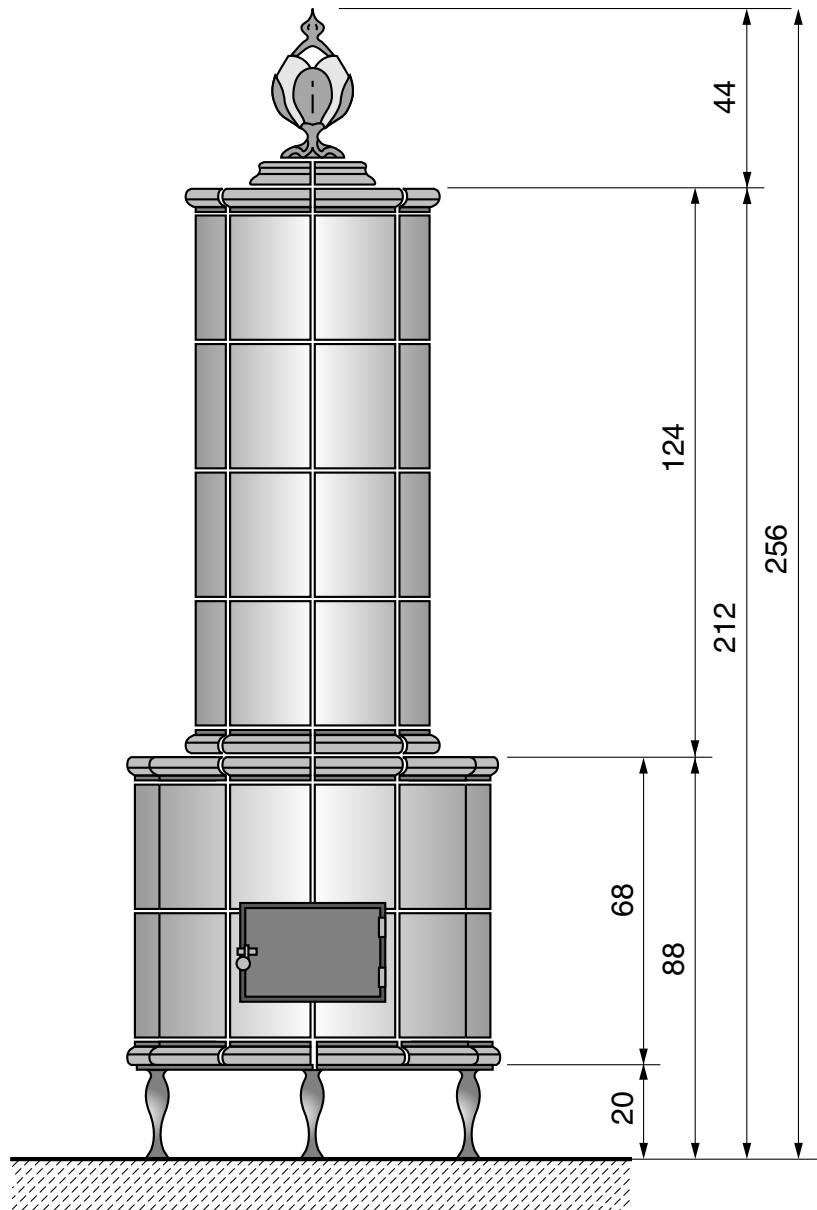
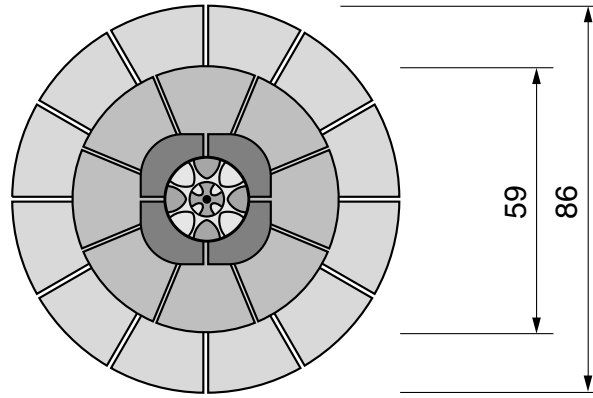
Empire style (Neoclassicism)



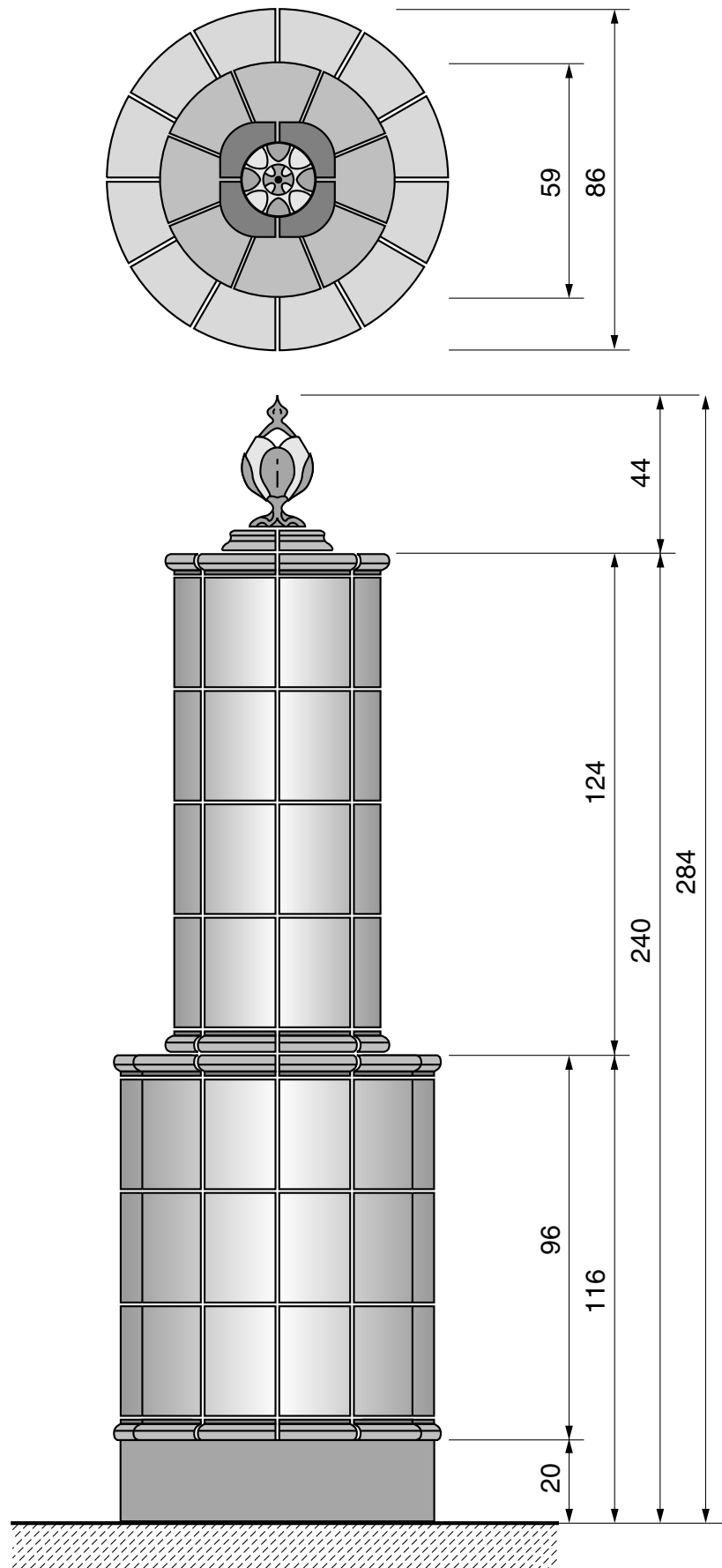
Empire style 2 (Neoclassicism)



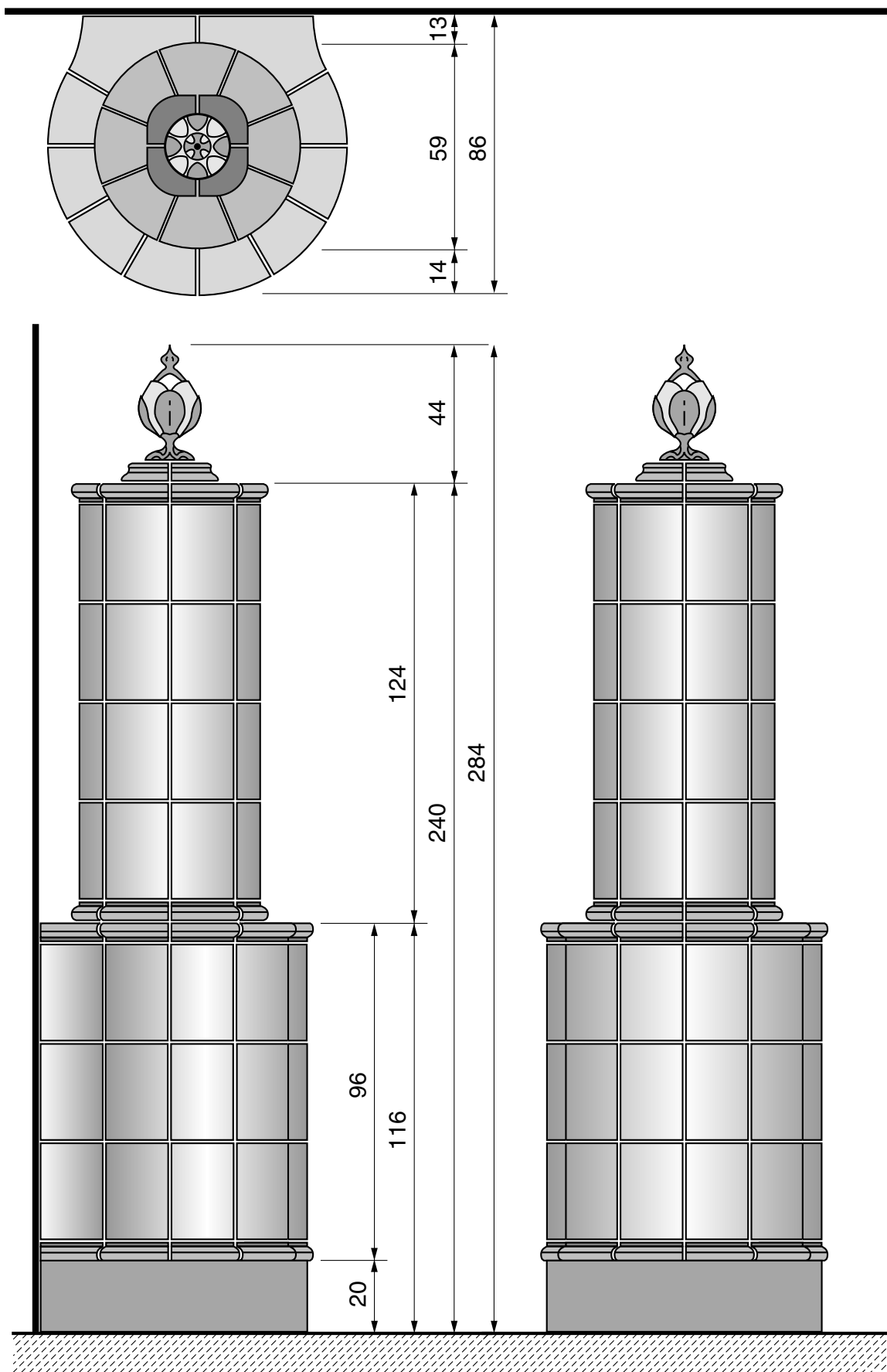
Empire style 3 (Neoclassicism)

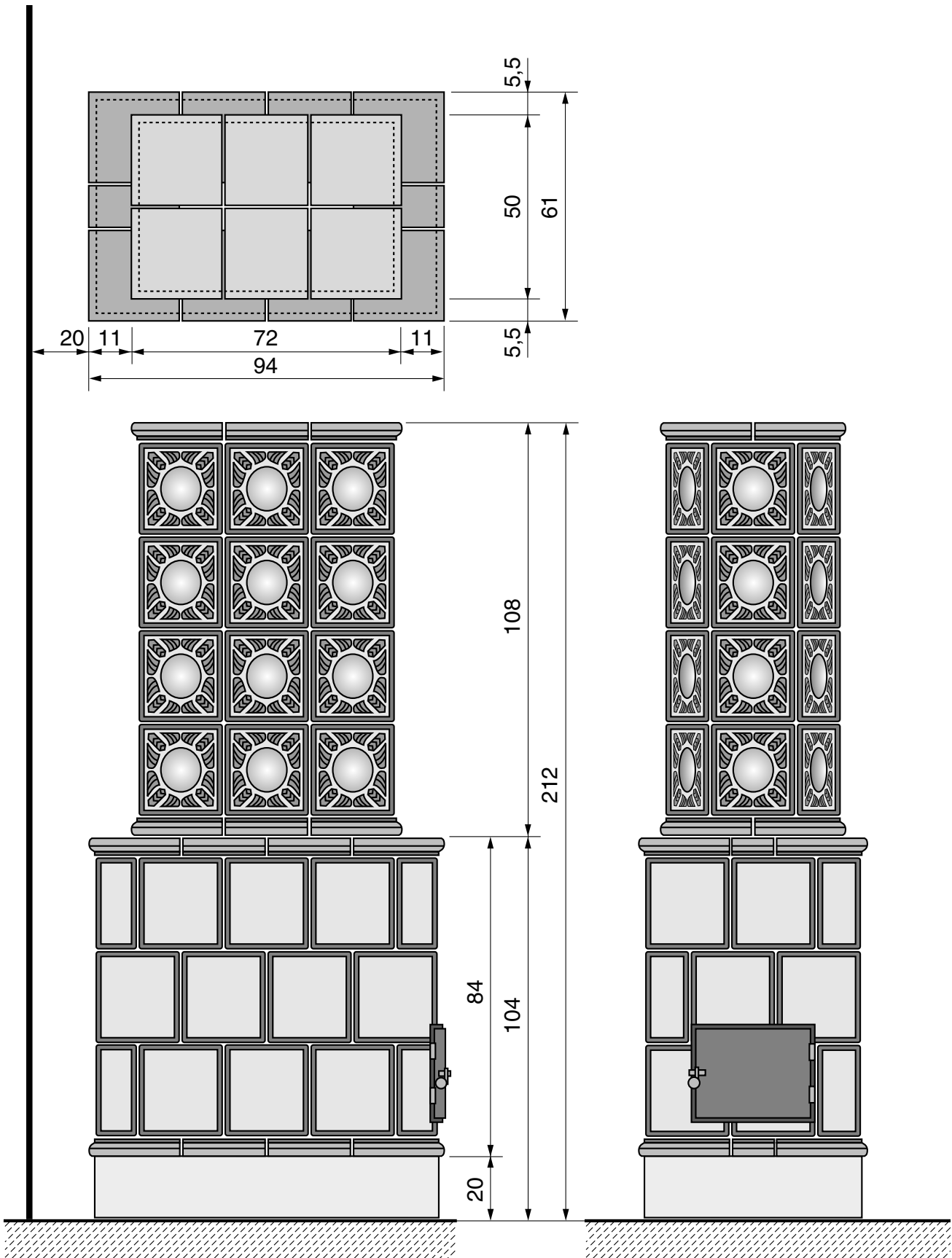


Empire style 3S (solid base, no legs)

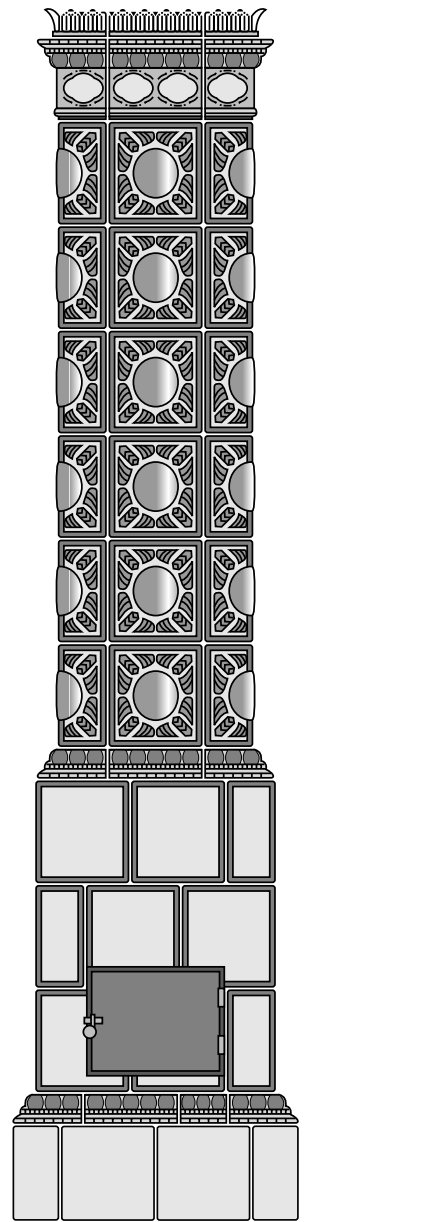
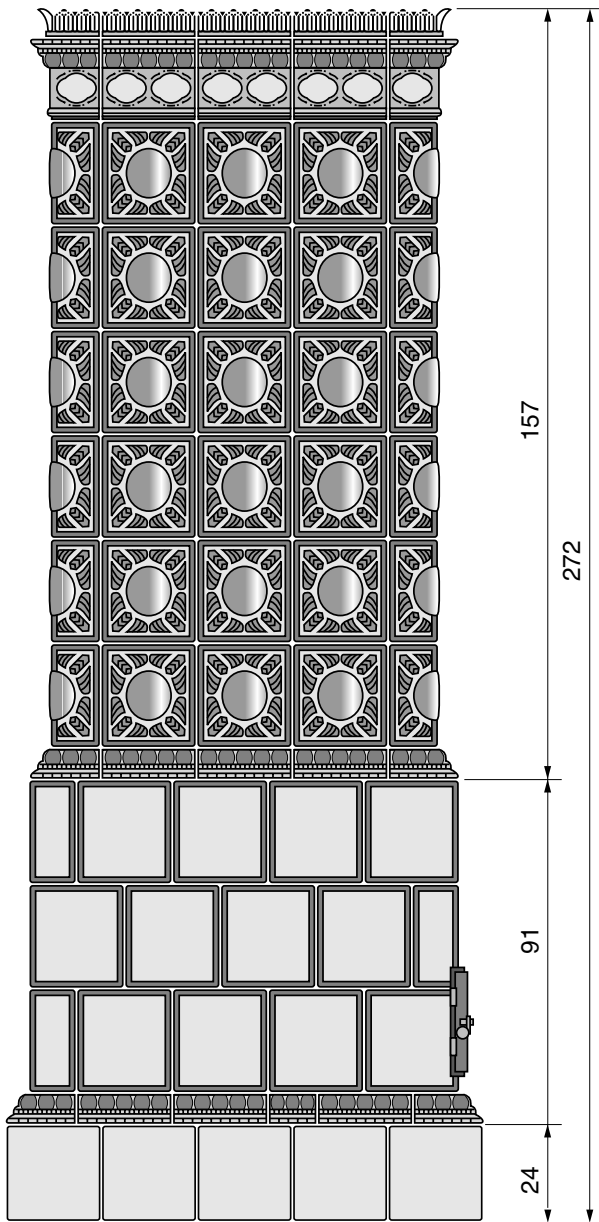
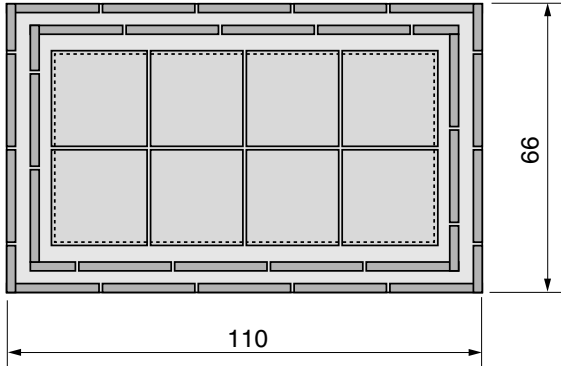


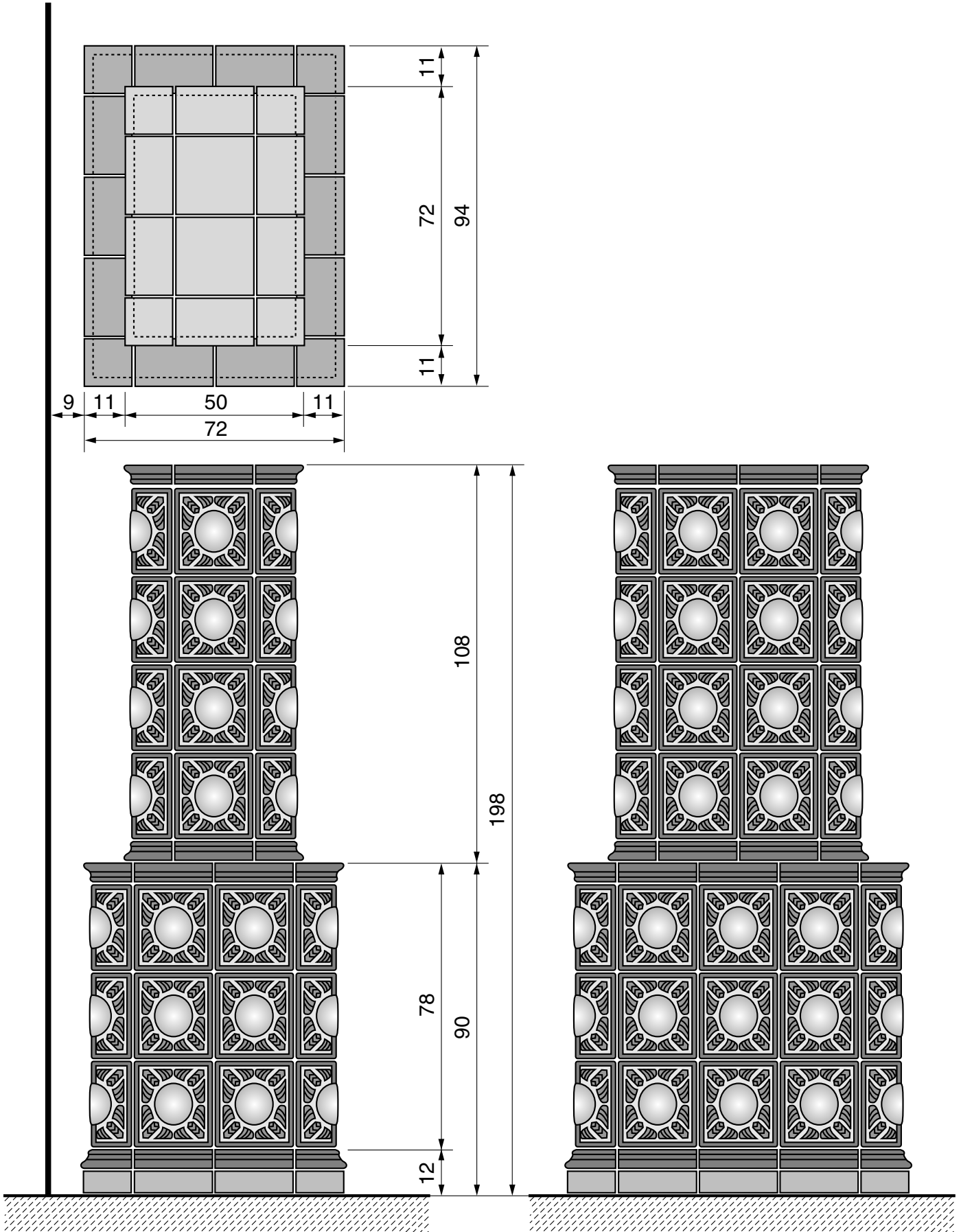
Empire style 3SZ (against the wall)



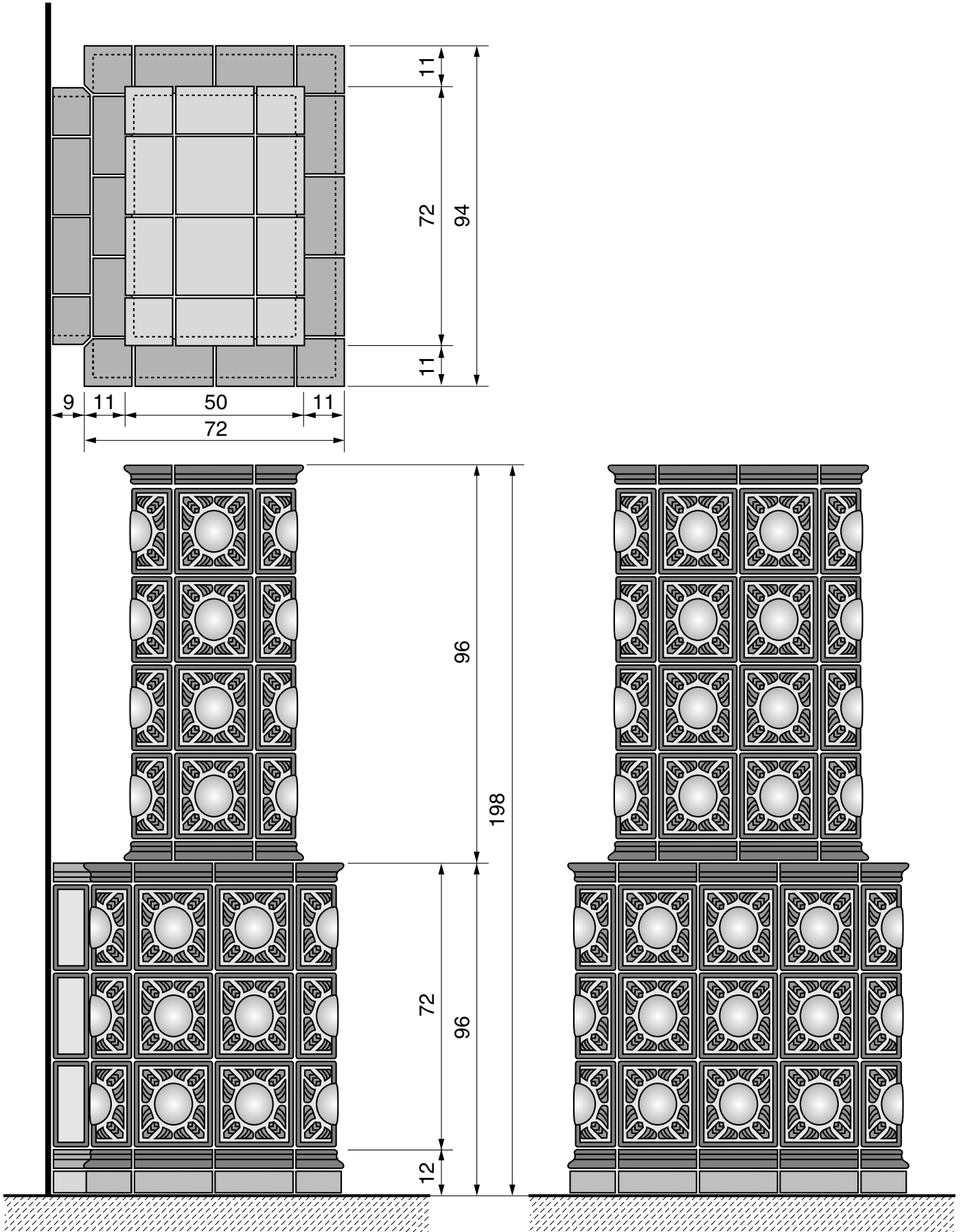


Classicism IV (taller)

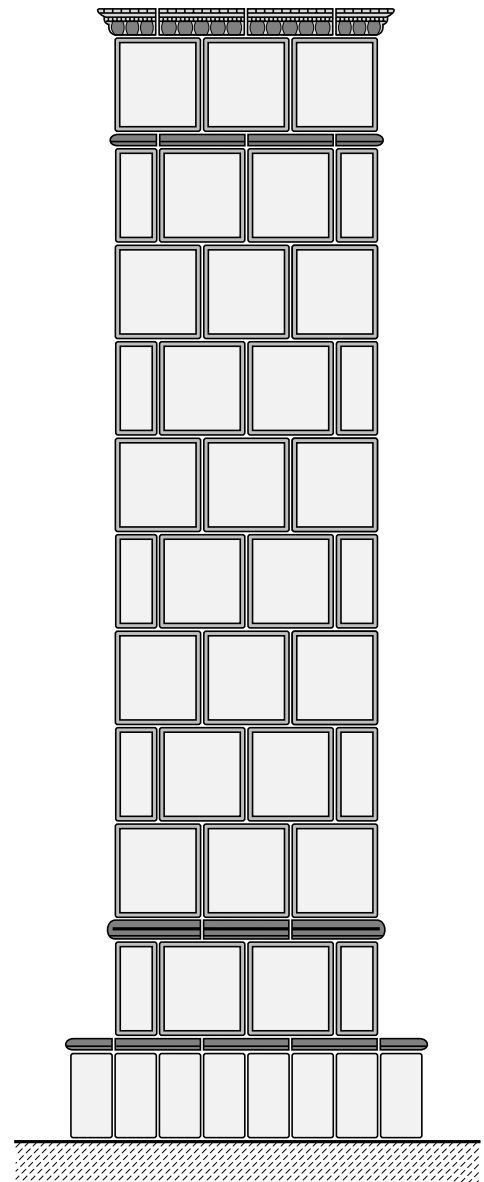
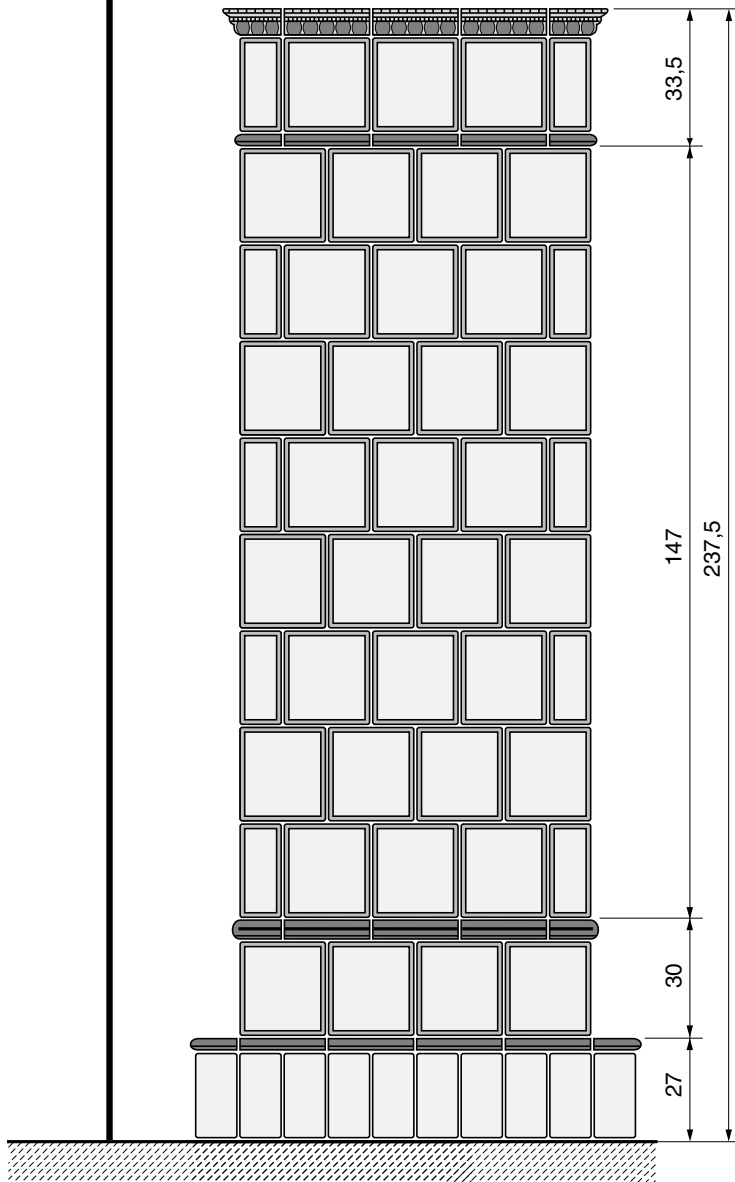
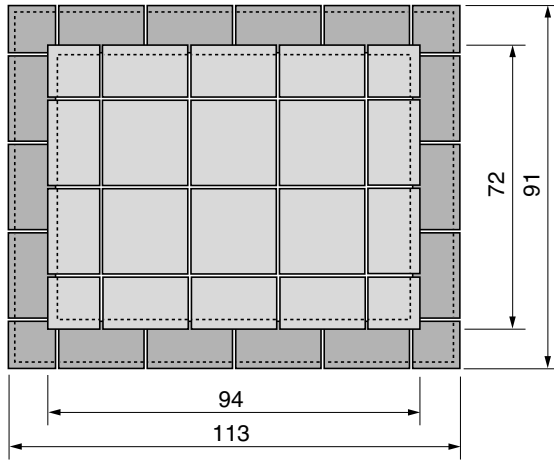




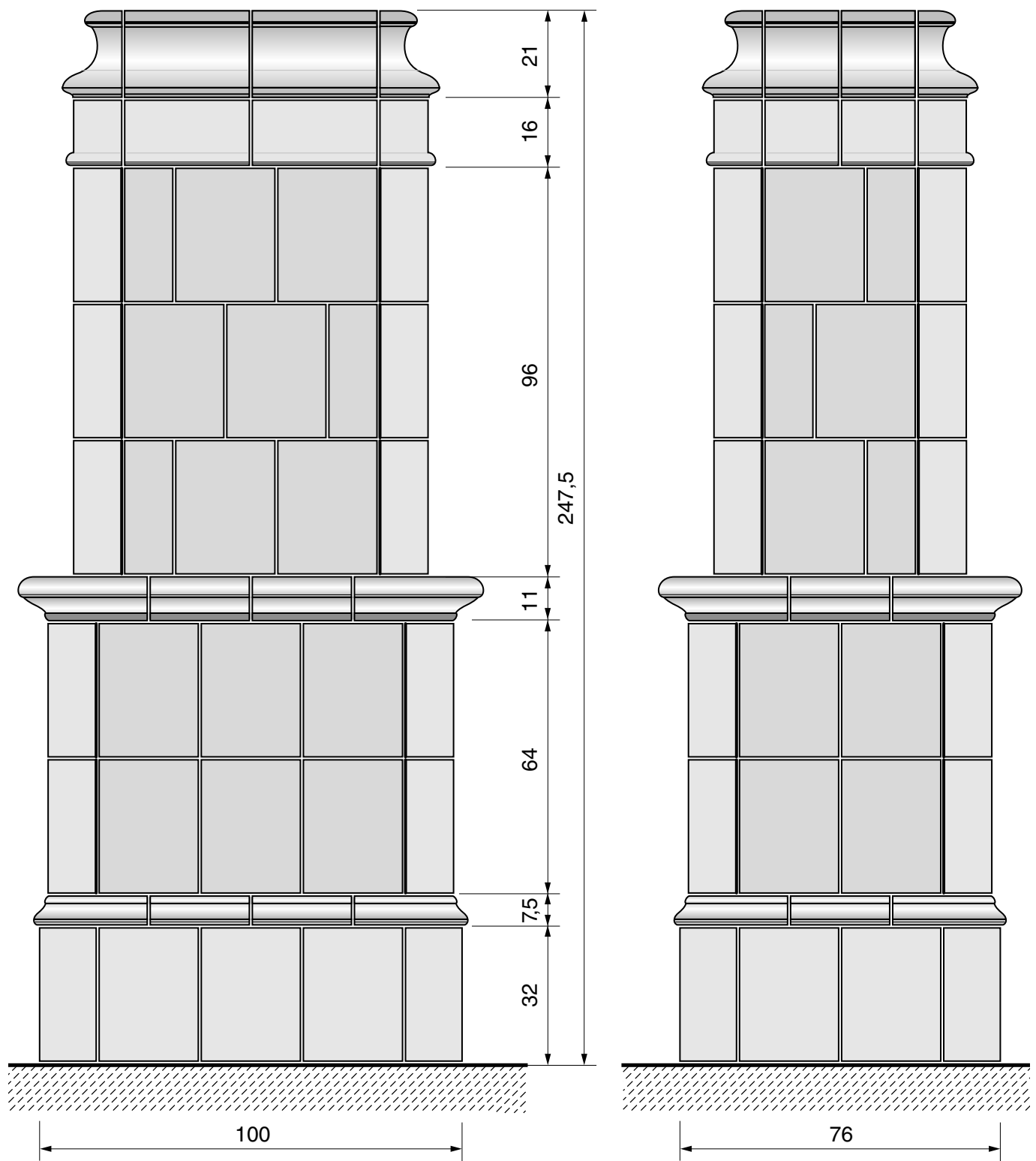
Classicism 2Z (against the wall)



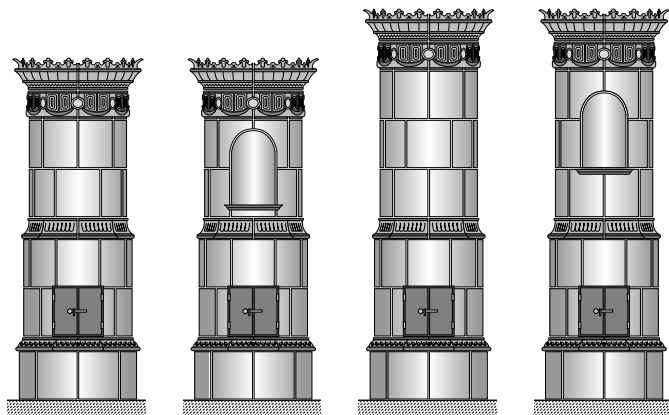
Classicism 3 (no mantel)



Kumlavik 1 (Sweden cca 1900)



Scandinavian - Nordicas

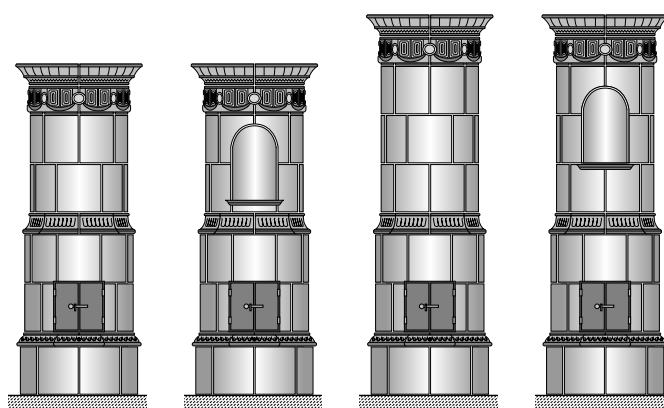


1 NZ

1 NZN

1 NV

1 NVN

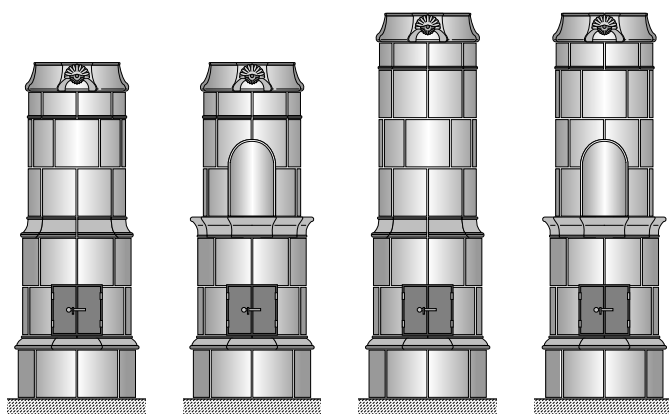


2 NZ

2 NZN

2 NV

2 NVN

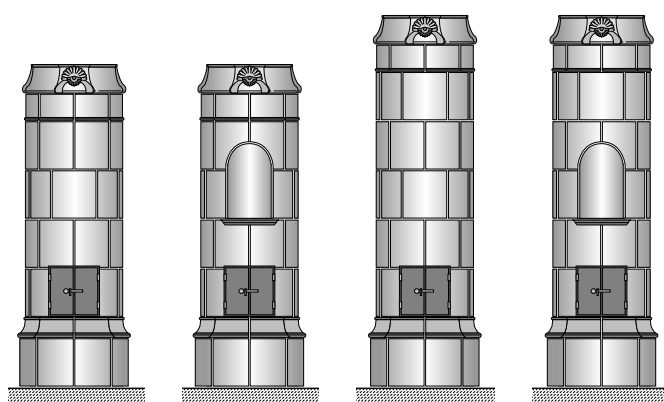


3 NZ

3 NZN

3 NV

3 NVN



4 NZ

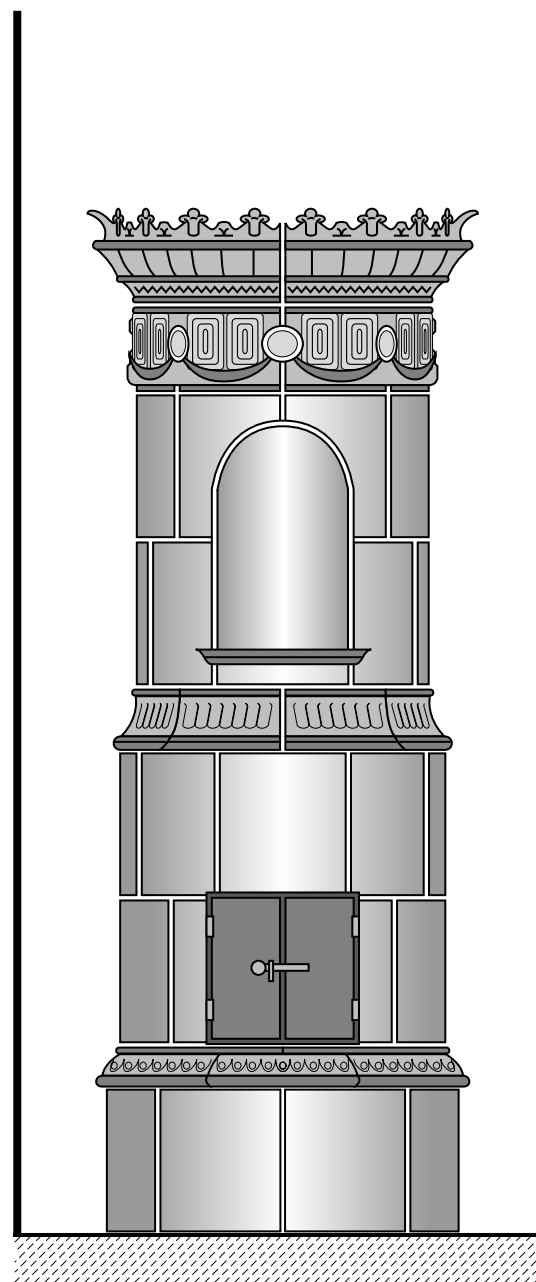
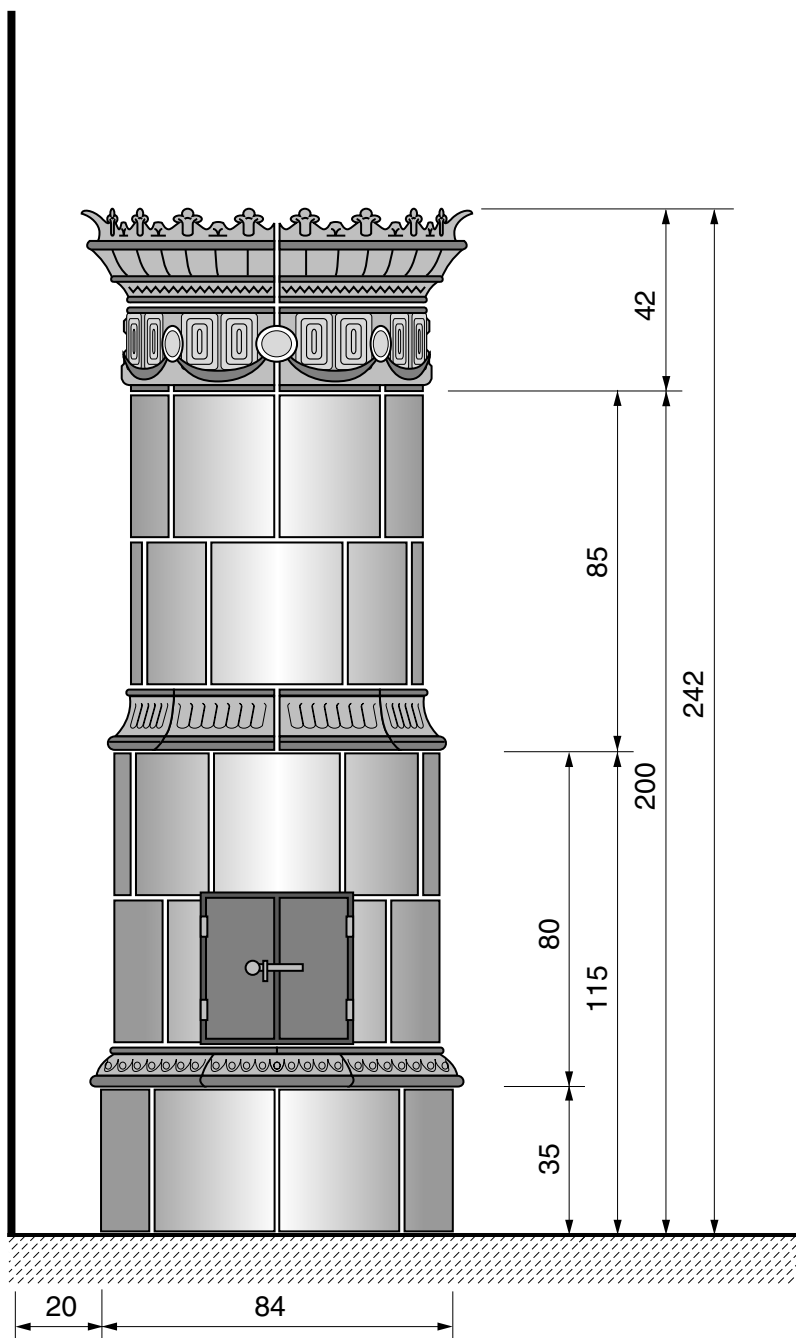
4 NZN

4 NV

4 NVN

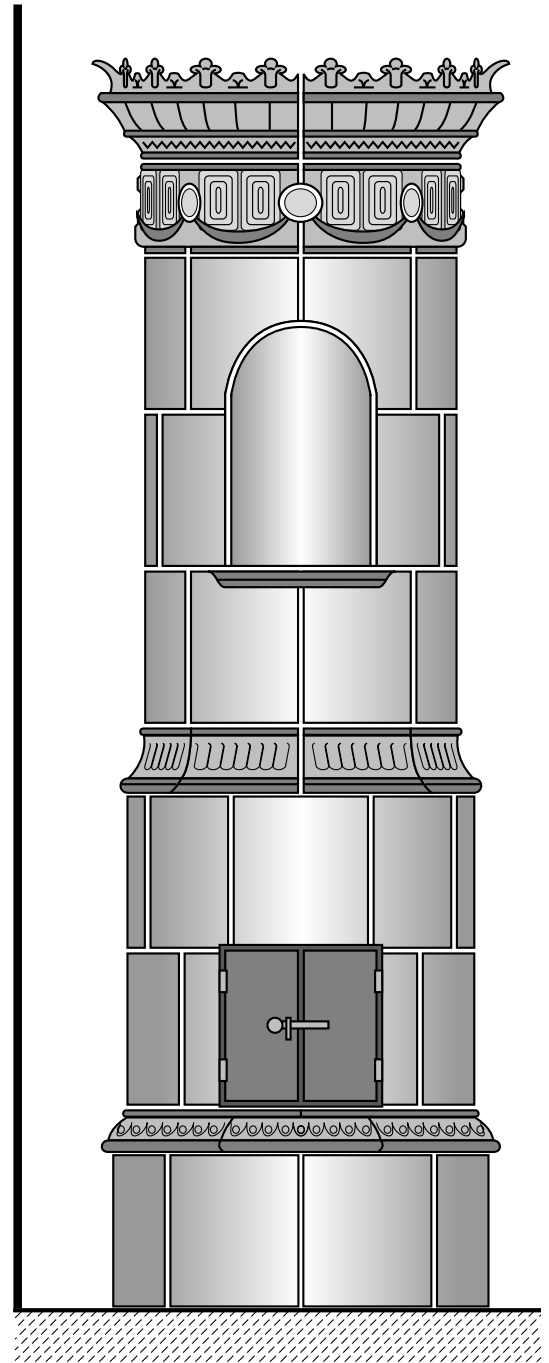
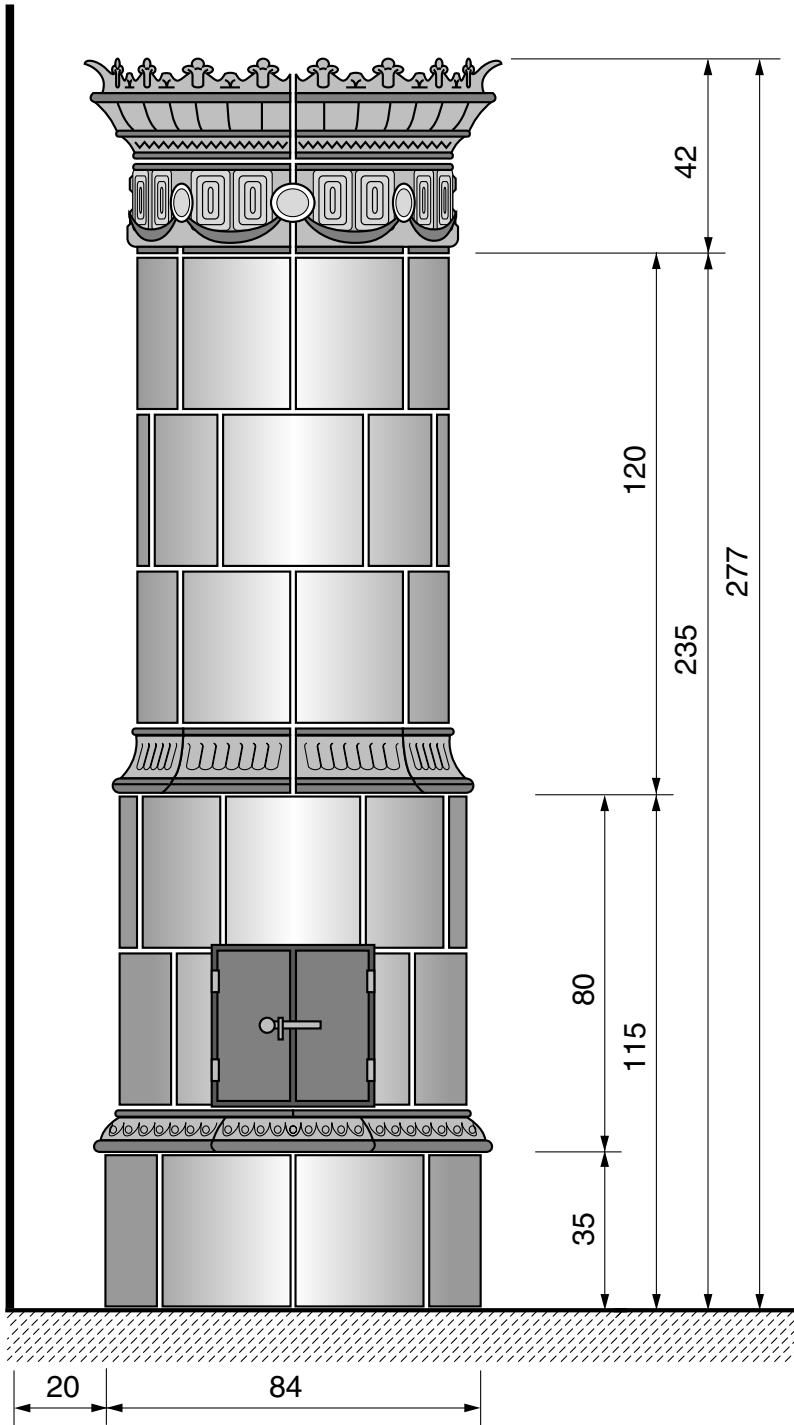
Nordica 1NZ (basic)

Nordica 1NZN (with alcove)

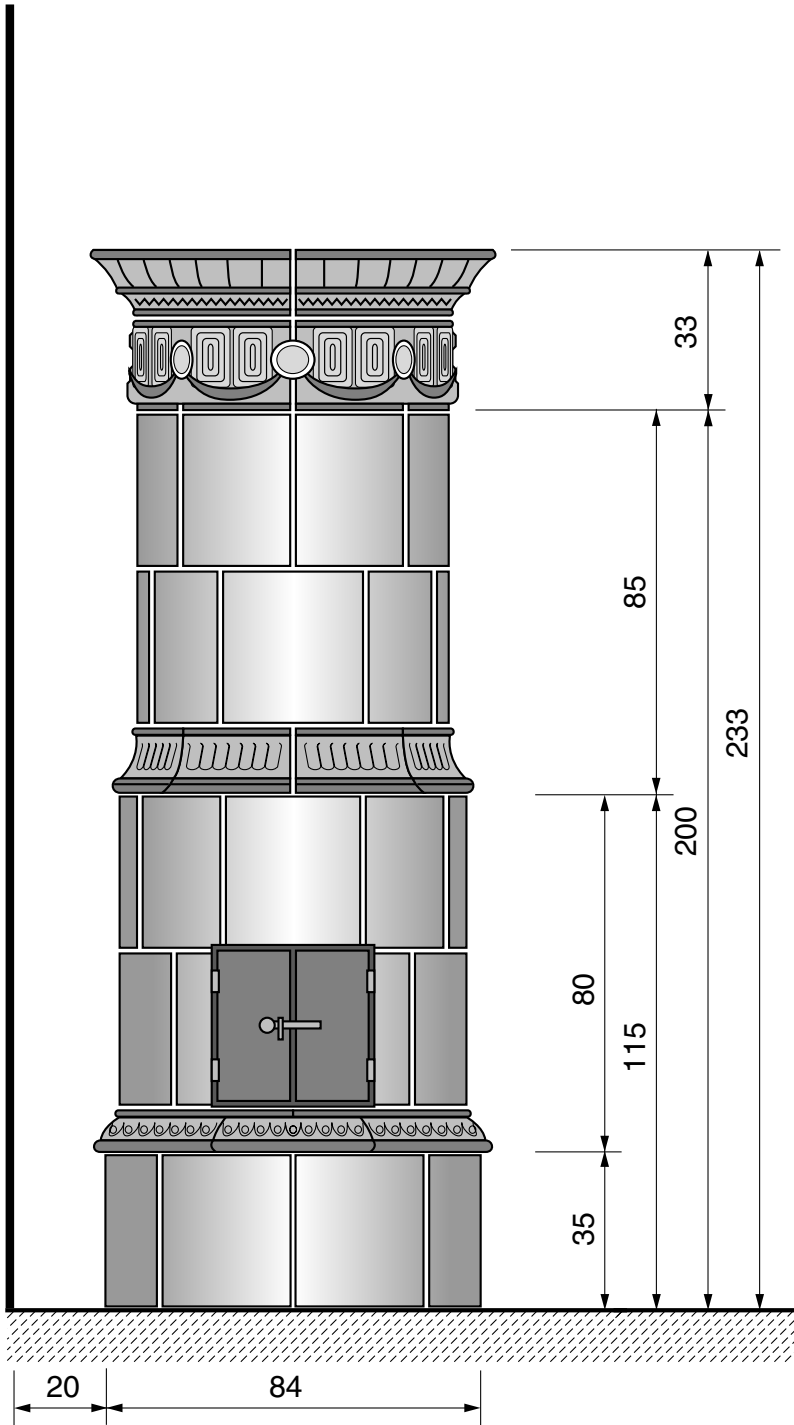


Nordica 1NV (tall)

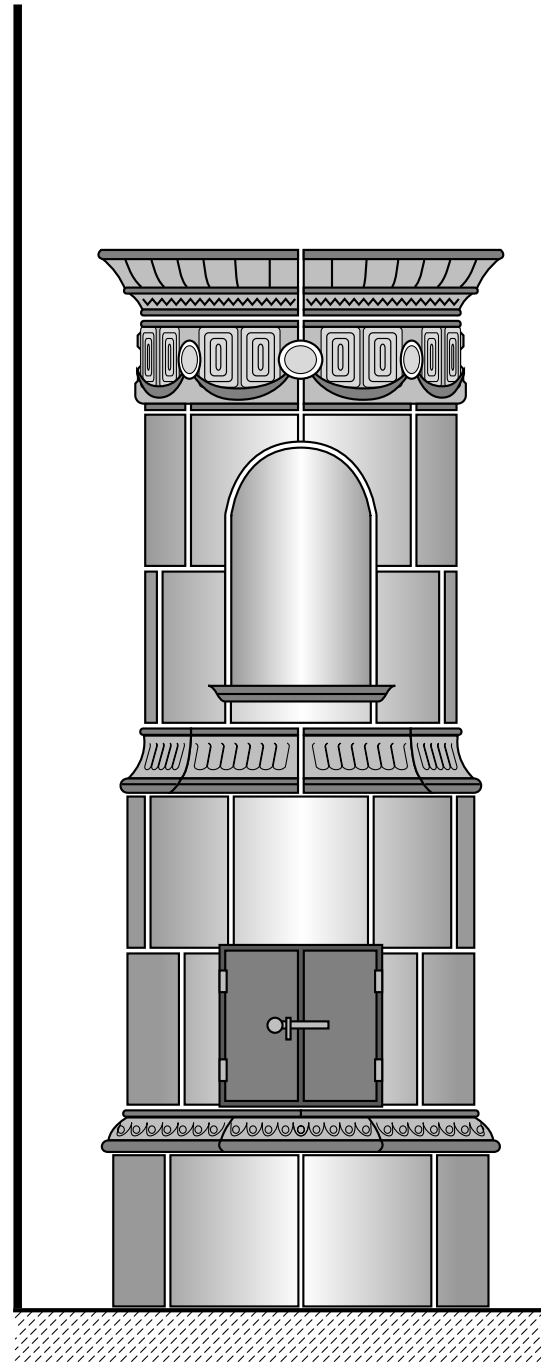
Nordica 1NVN (tall with alcove)



Nordica 2NZ (basic)

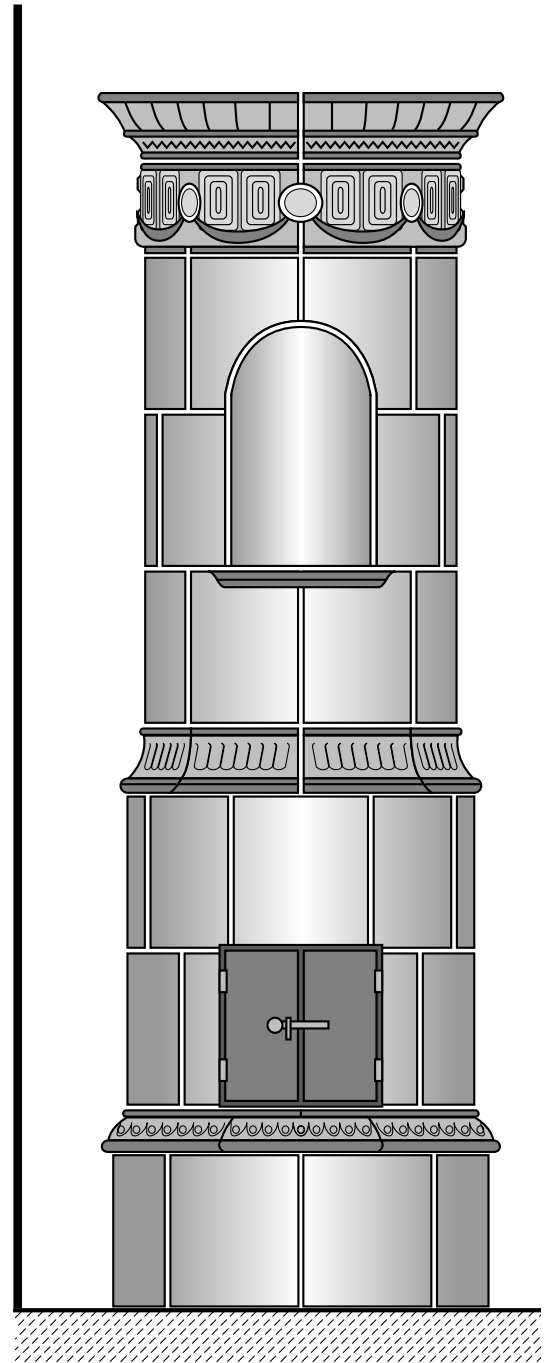
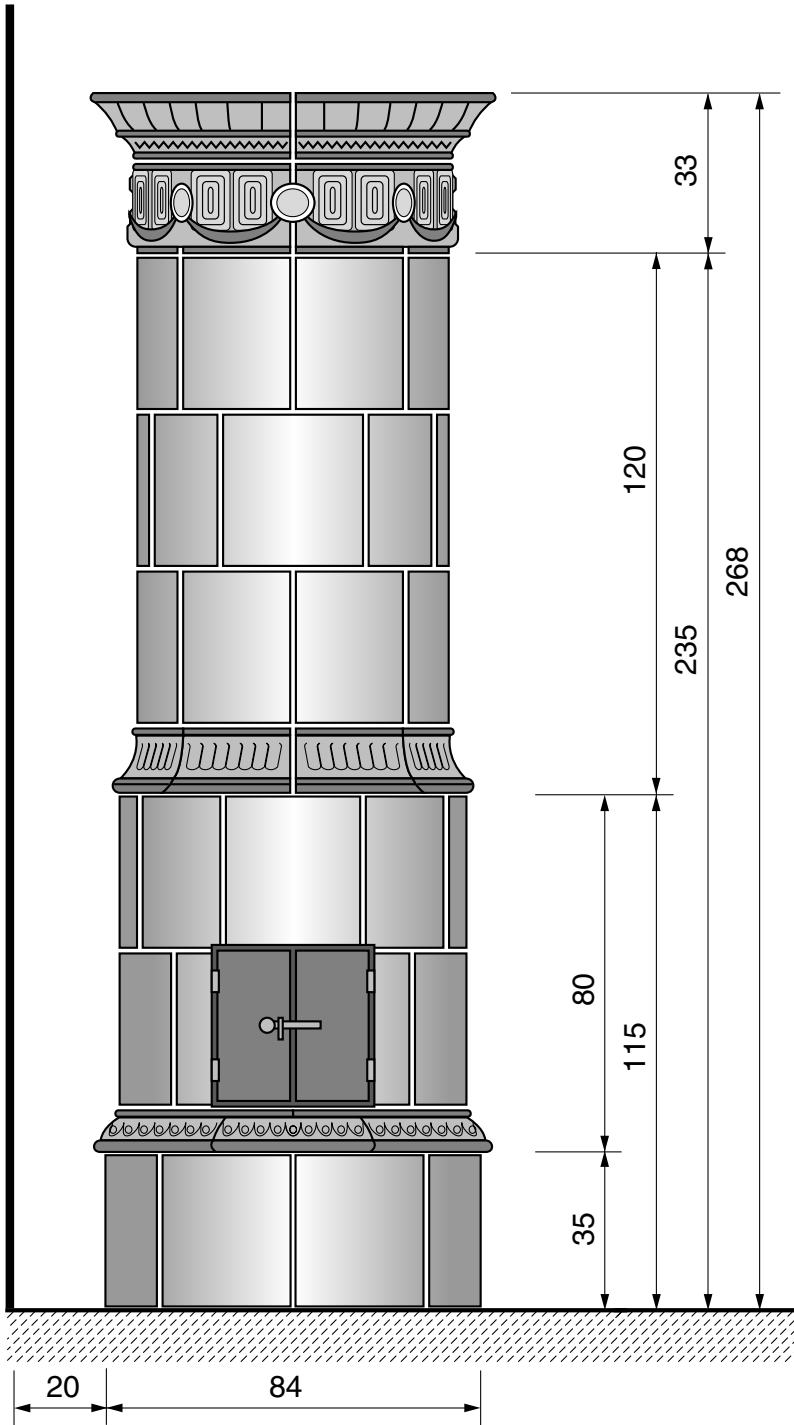


Nordica 2NZN (basic with alcove)

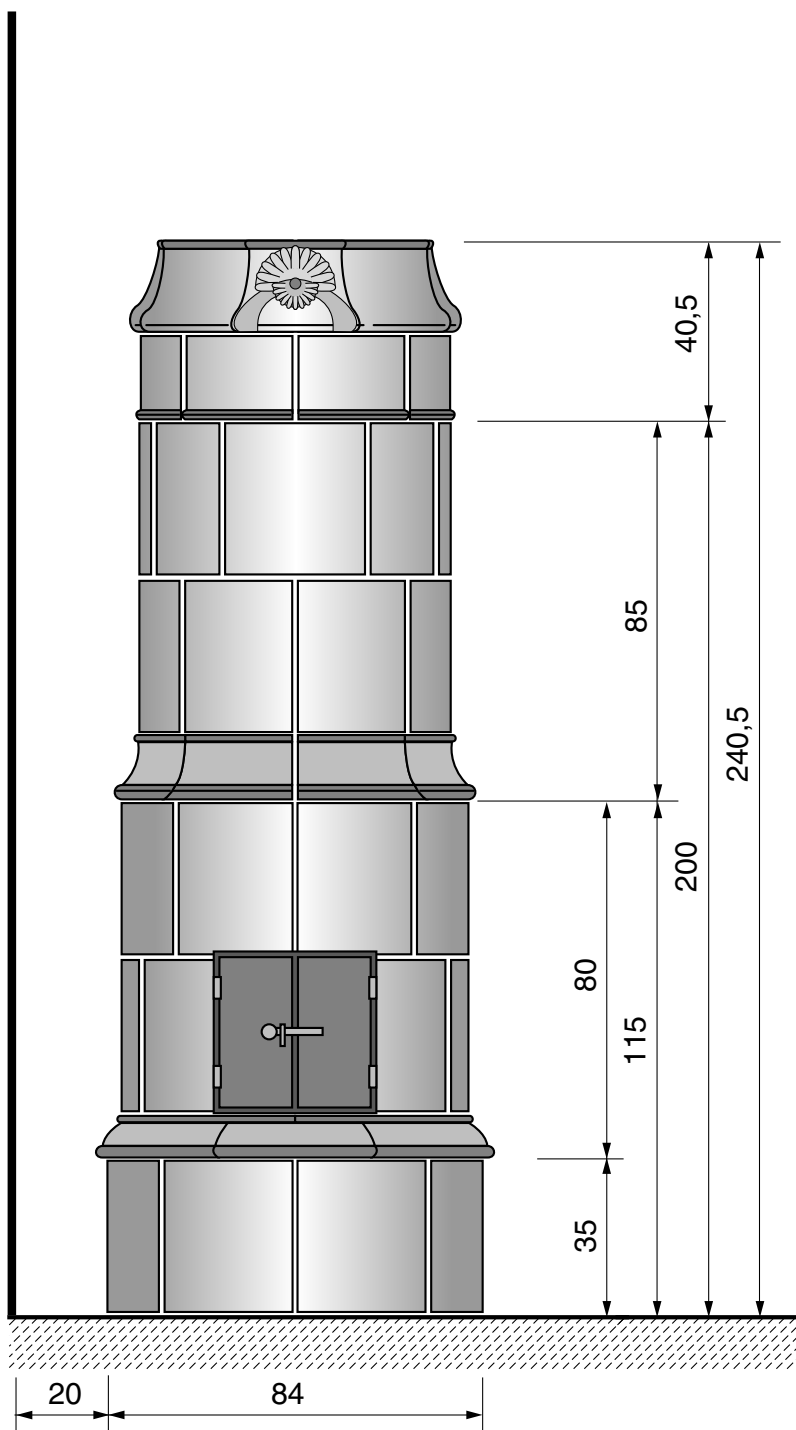


Nordica 2NV (tall)

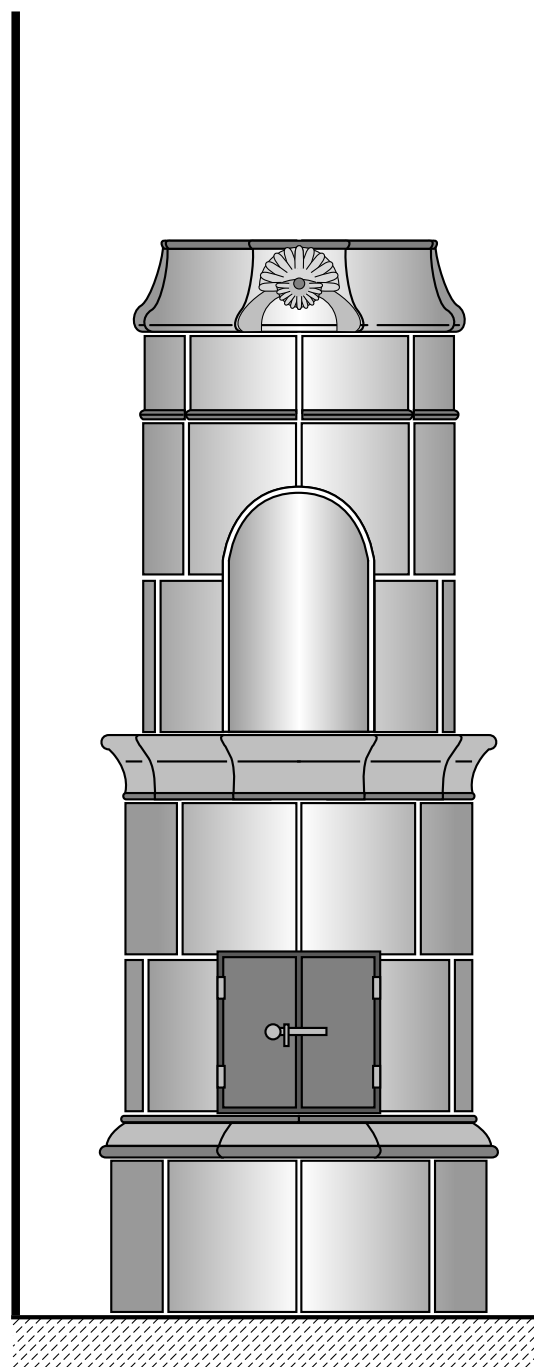
Nordica 2NVN (tall with alcove)



Nordica 3NZ (Basic)

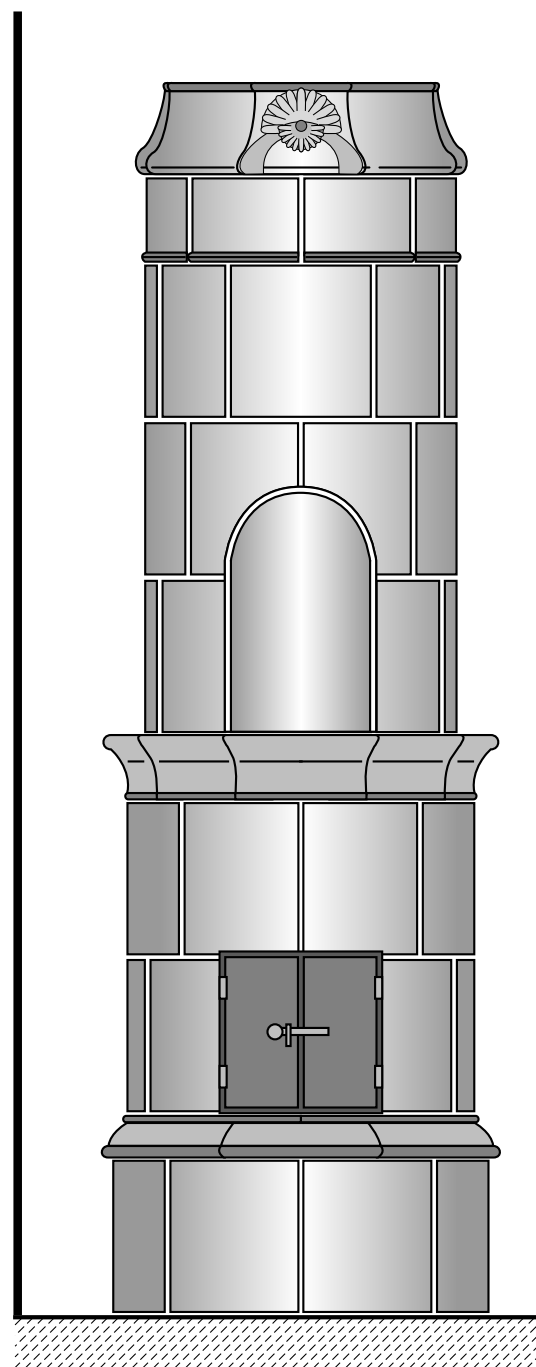
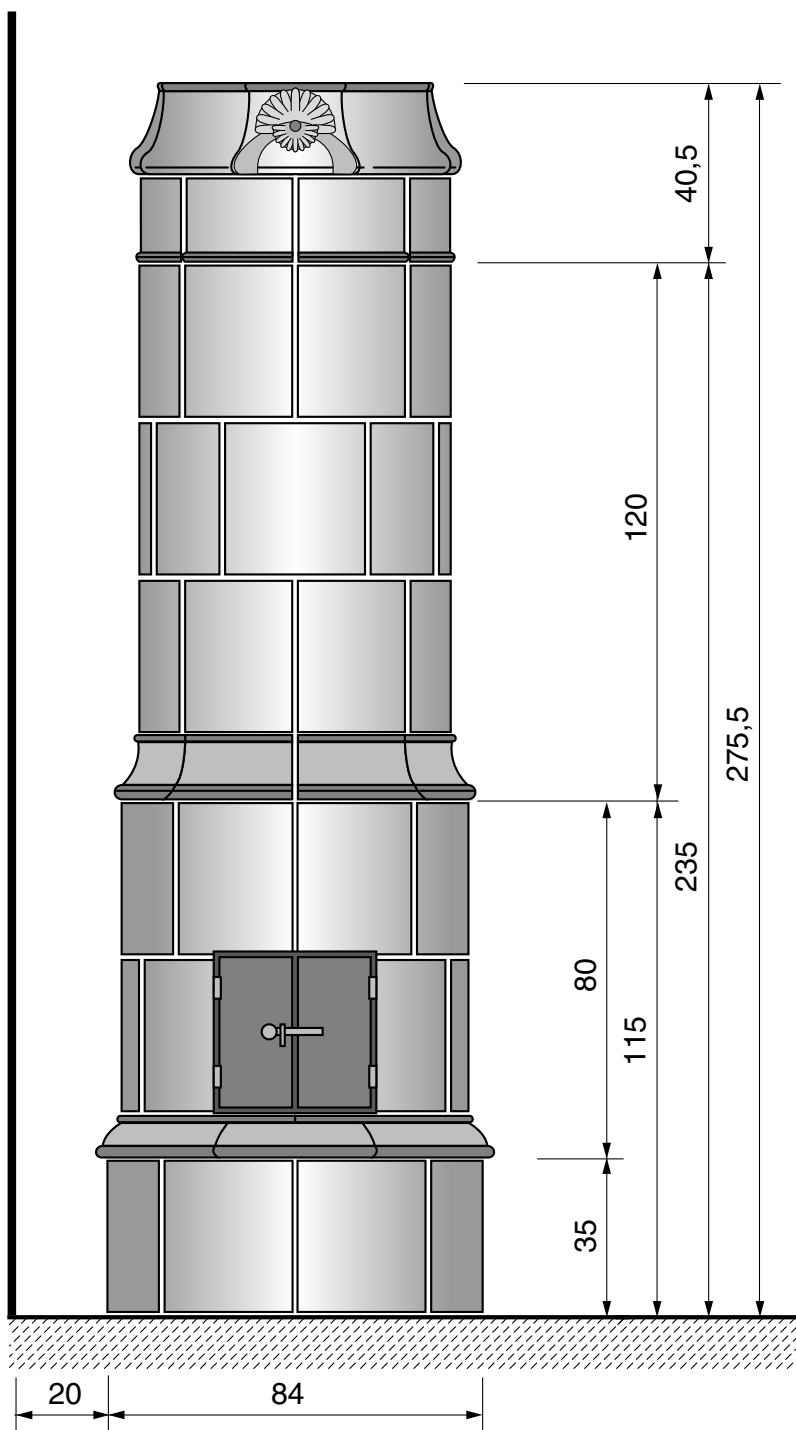


Nordica 3NZN (basic with alcove)

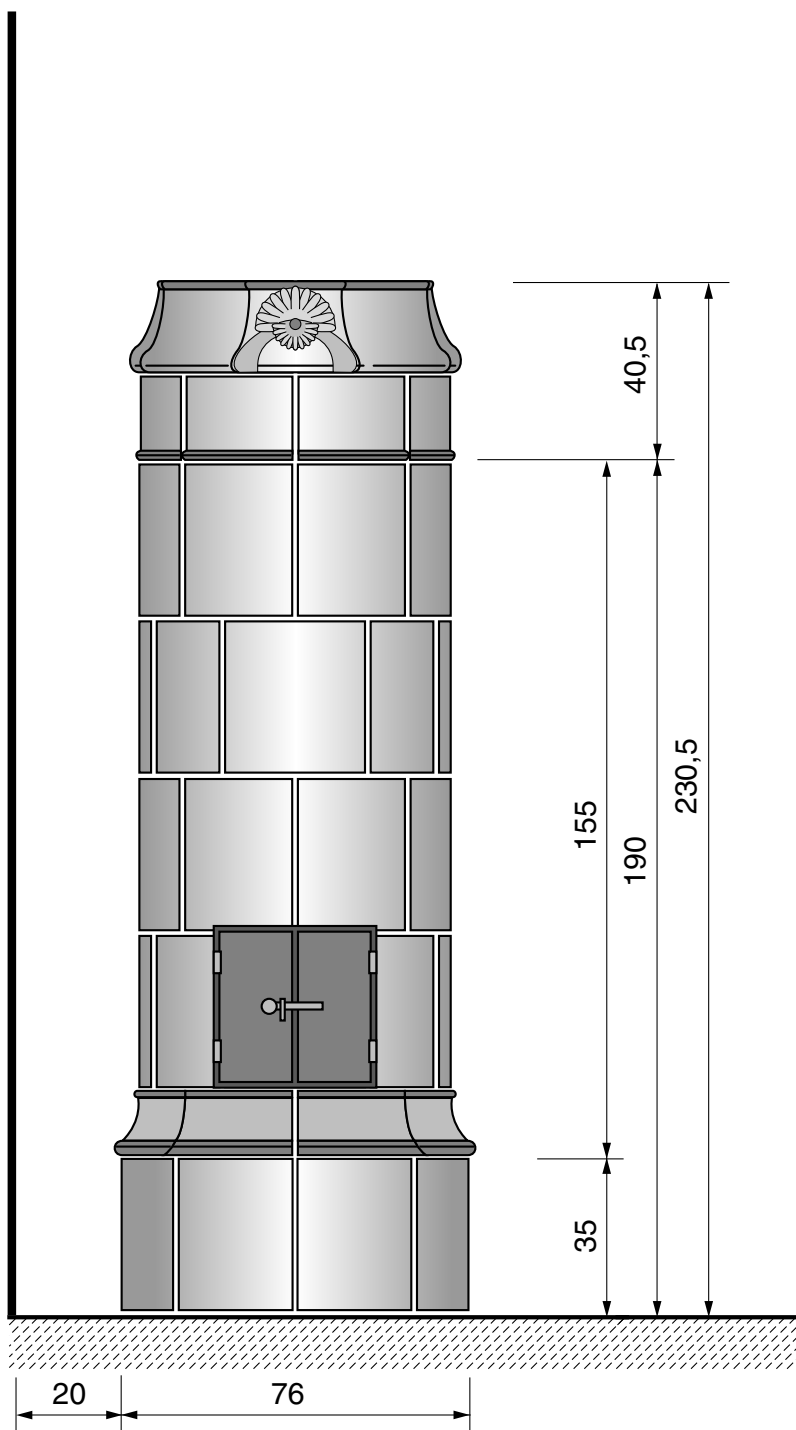


Nordica 3NV (tall)

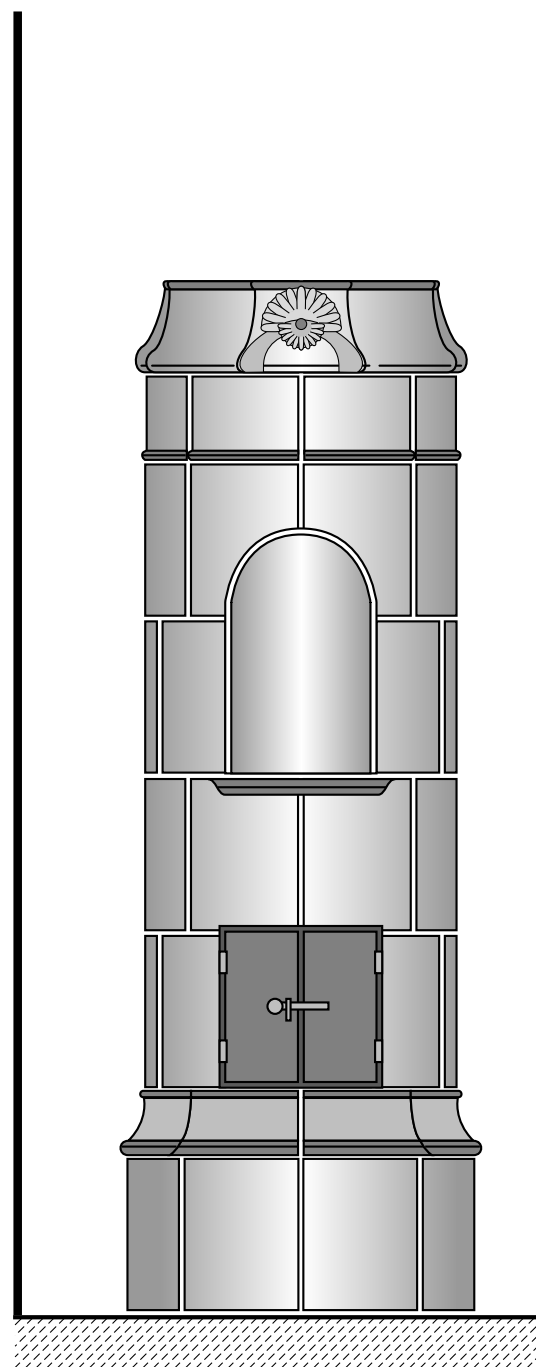
Nordica 3NVN (tall with alcove)



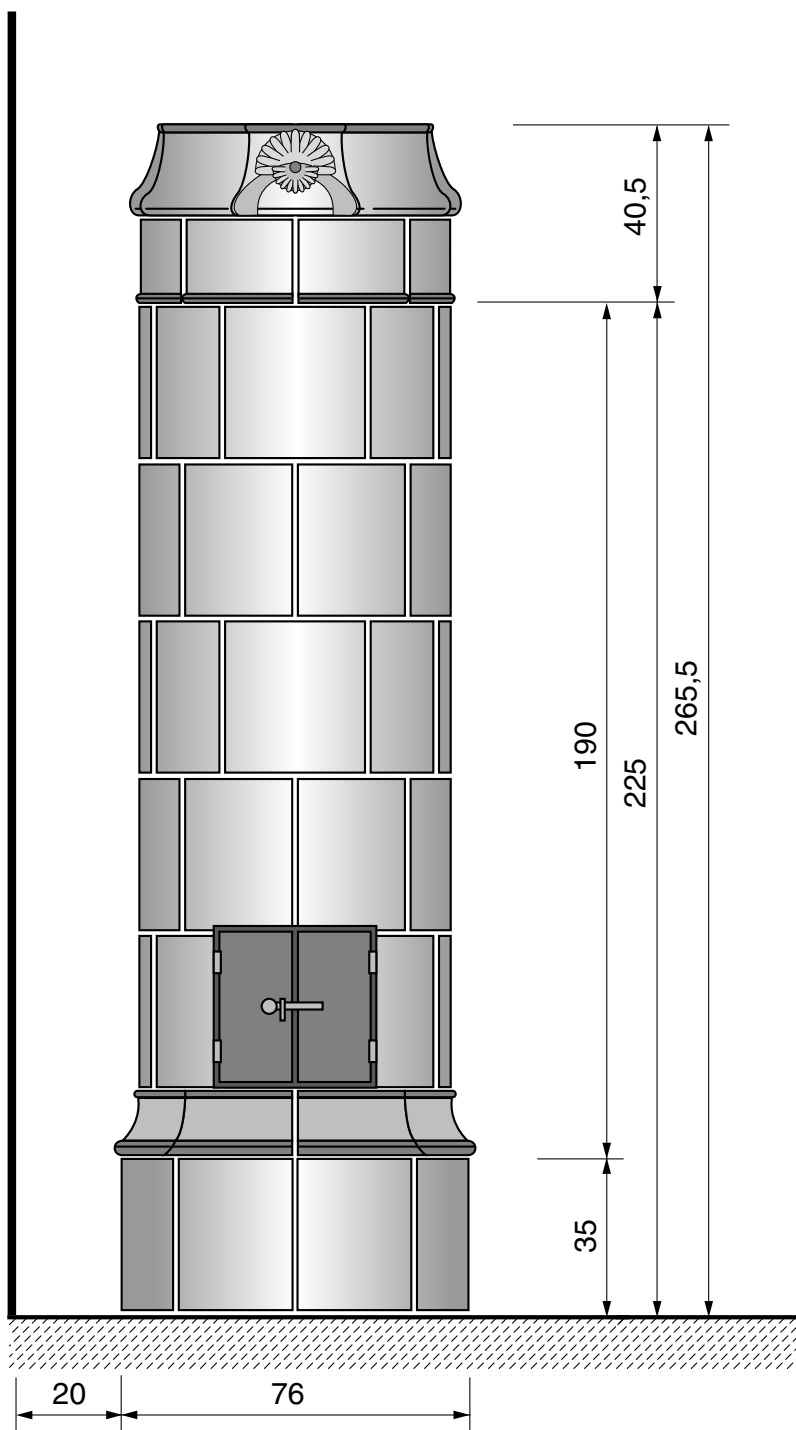
Nordica 4NZ (basic)



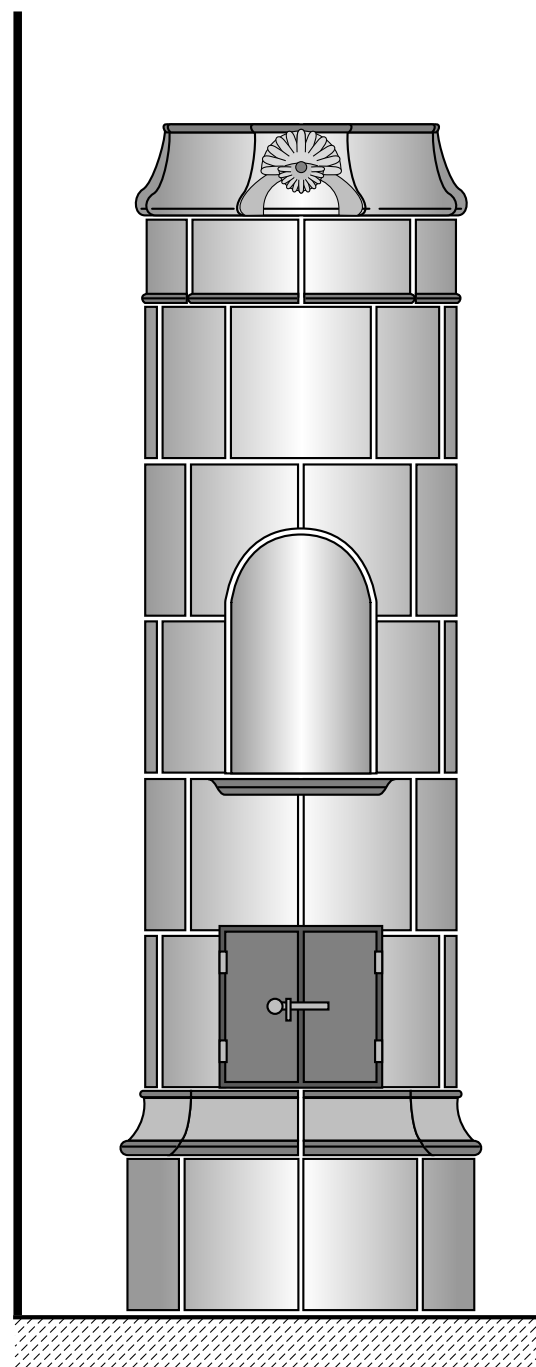
Nordica 4NZN (basic with alcove)



Nordica 4NV (tall)

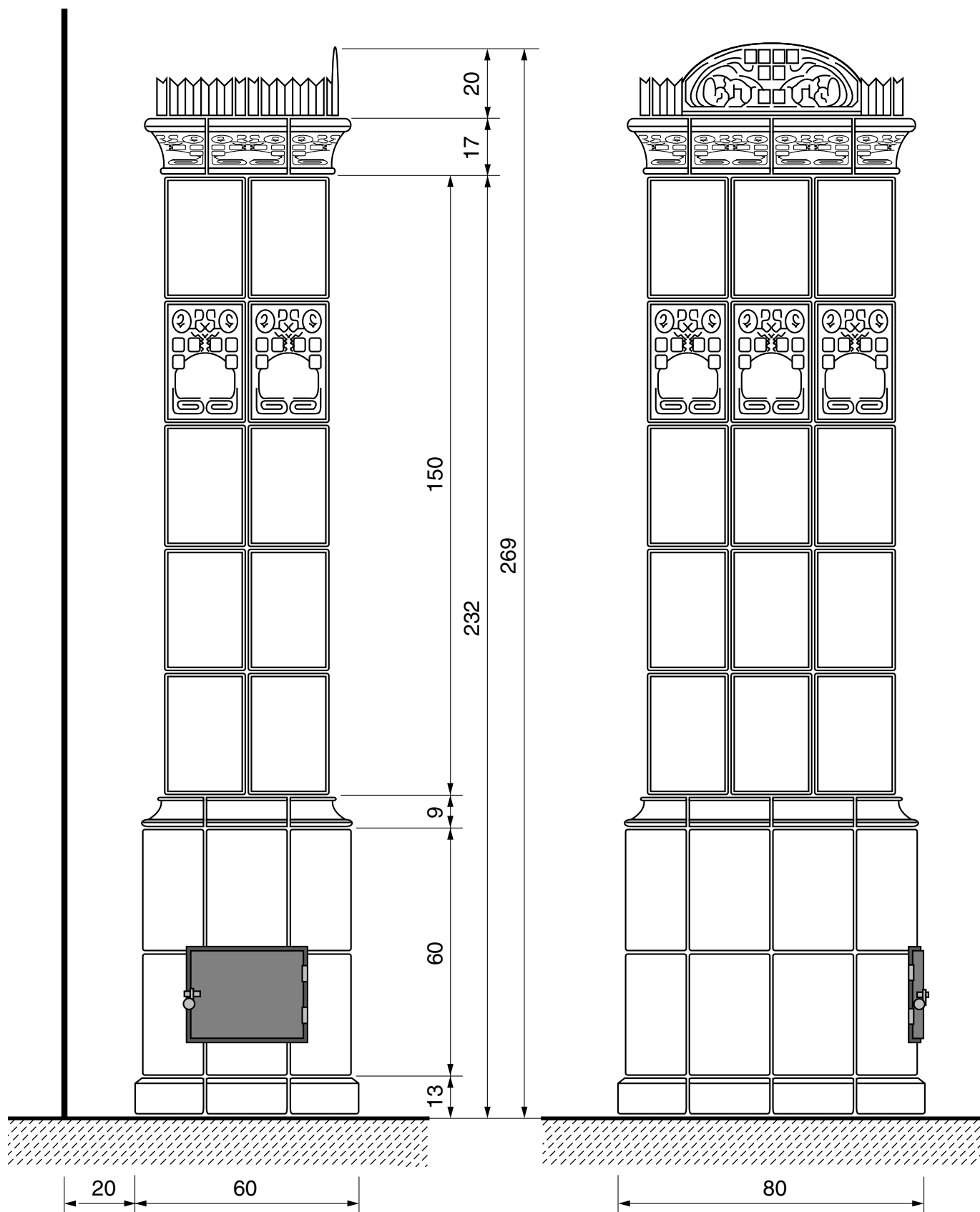


Nordica 4NVN (tall with alcove)

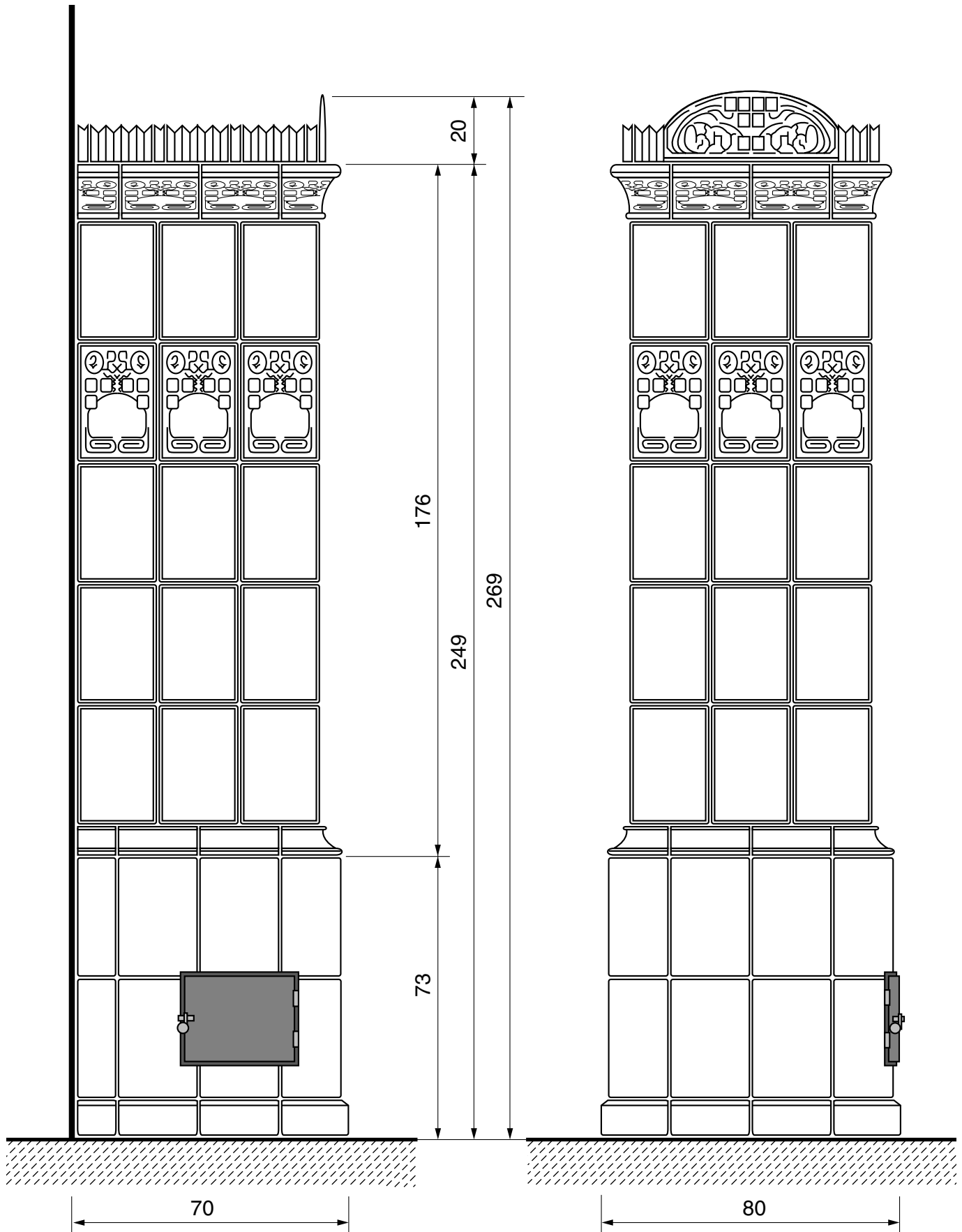


Art Nouveau 1 (basic)

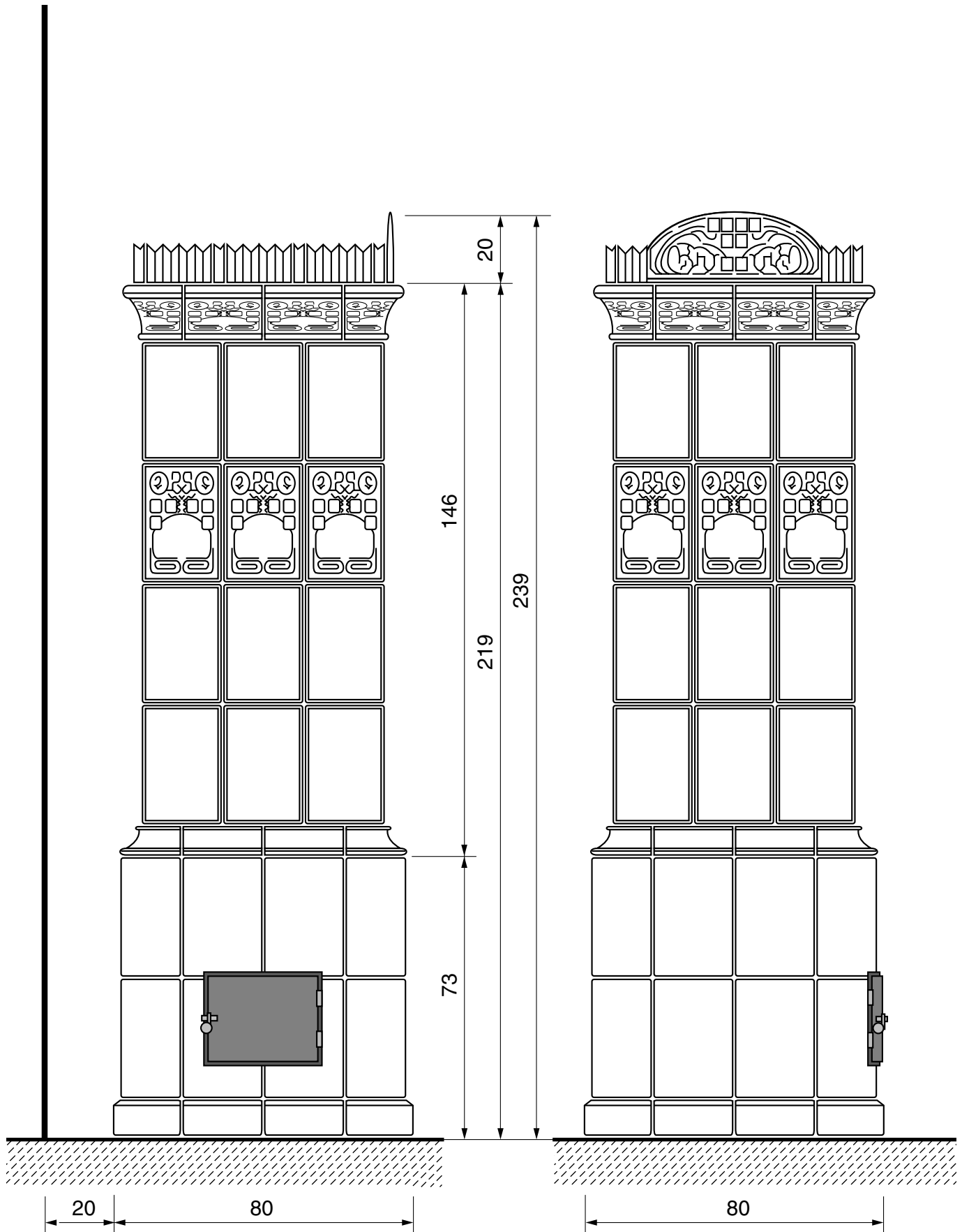
Art Nouveau 1 (basic with gold)



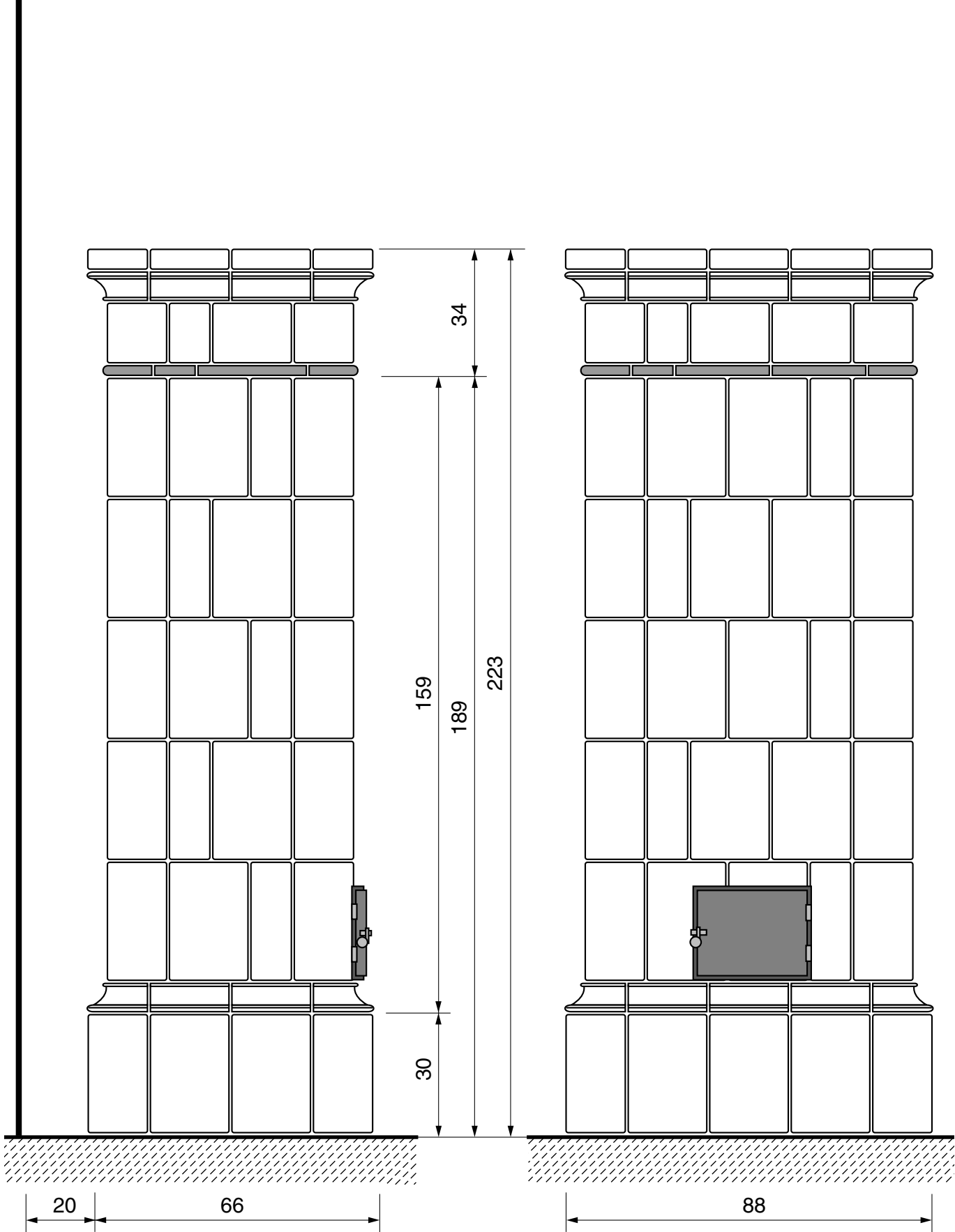
Art Nouveau 1Z (against the wall)



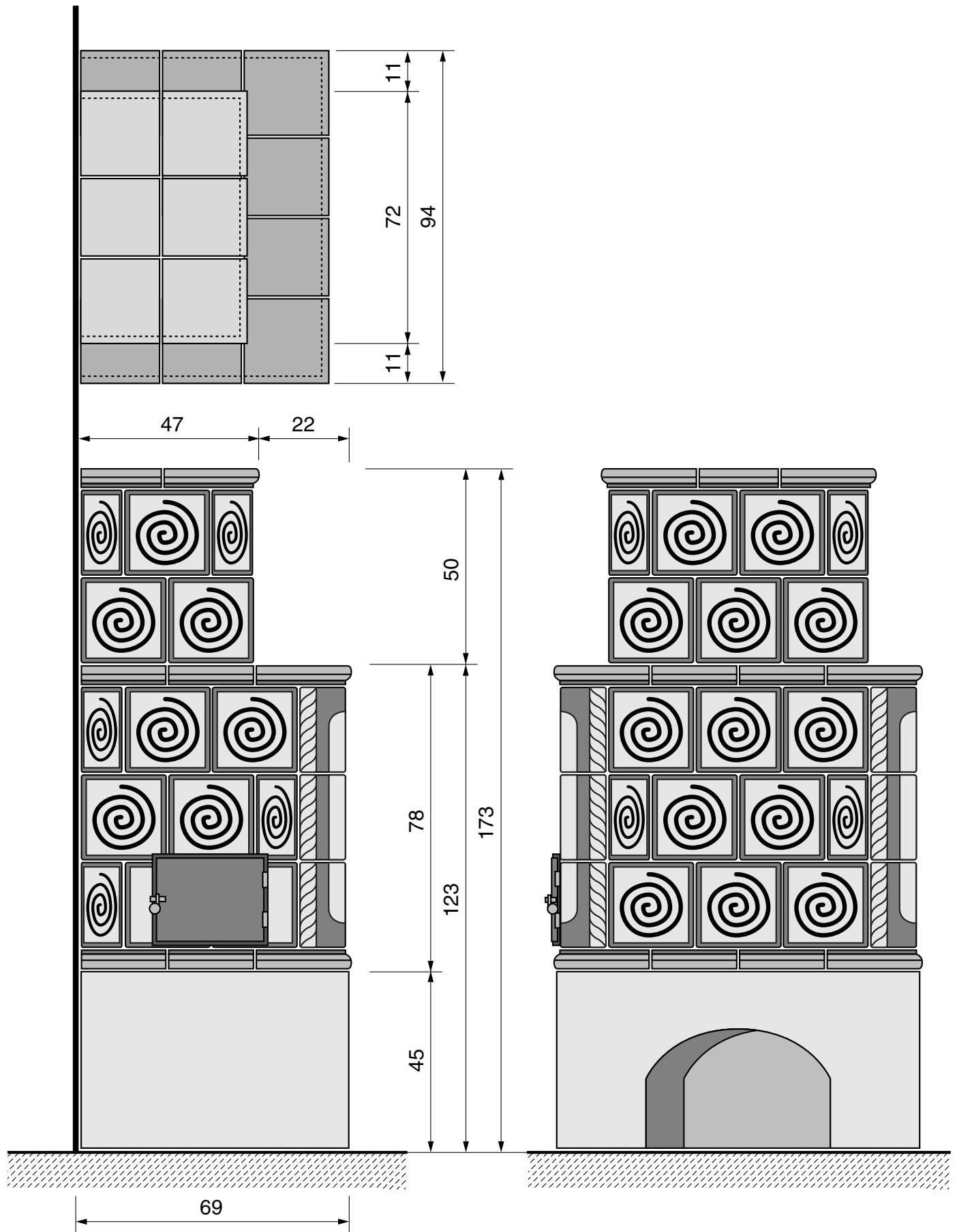
Art Nouveau 2 (square and shorter)



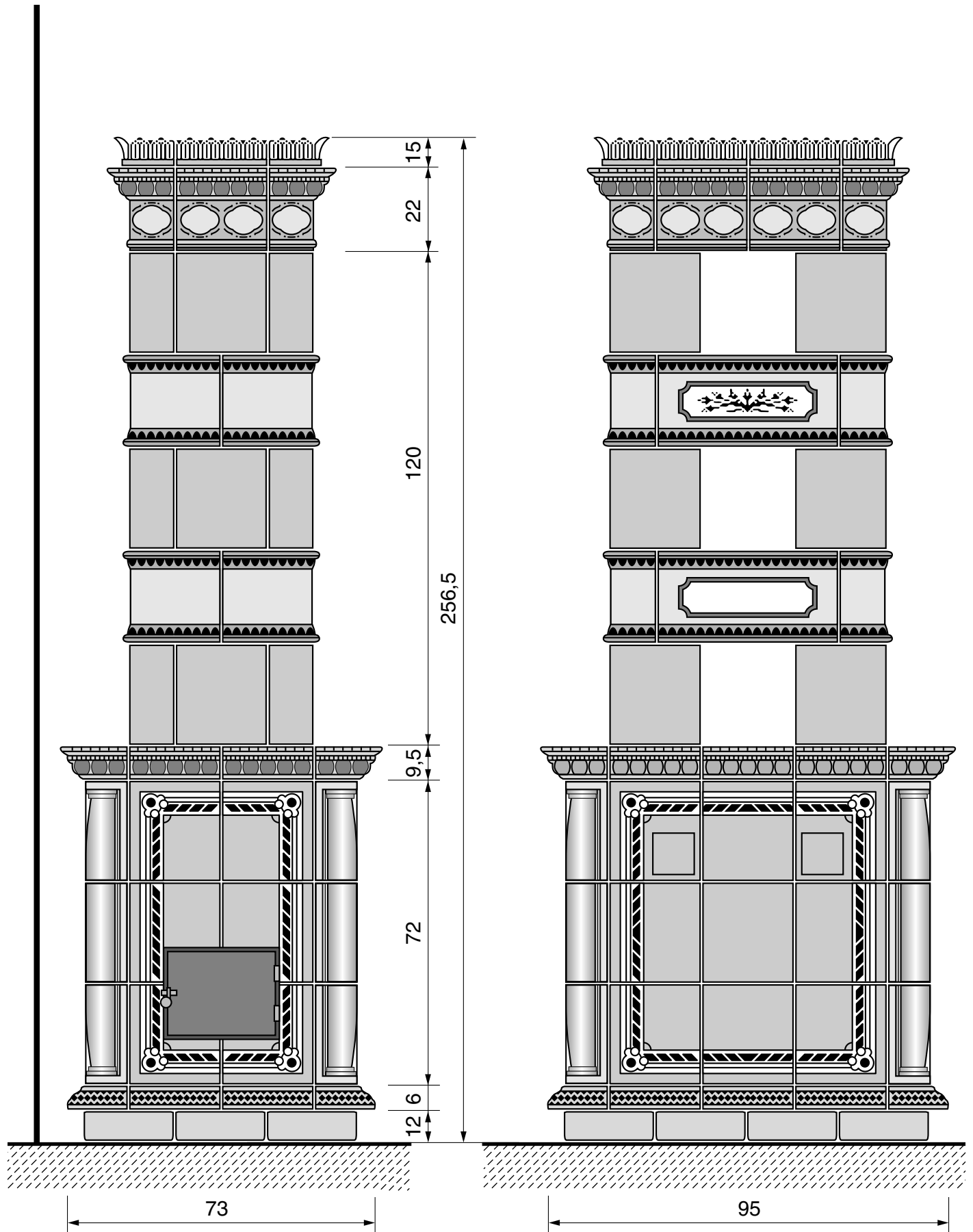
Art Nouveau 3 (no mantel)



Country style (Central Europe)



Tahovky 1 (Neoclassicism Central Europe)



Tahovky 2 (shorter, no void)

